

PRECAST CONCRETE

# PADVAVLT - SINGLE PHASE

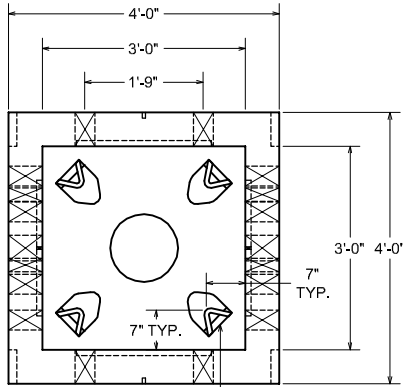
3'-0" WIDE X 3'-0" LONG X 3'-2" TALL INSIDE DIMENSIONS

EQUAL TO PACIFICORP ZG 501

SHEET 1 OF 2

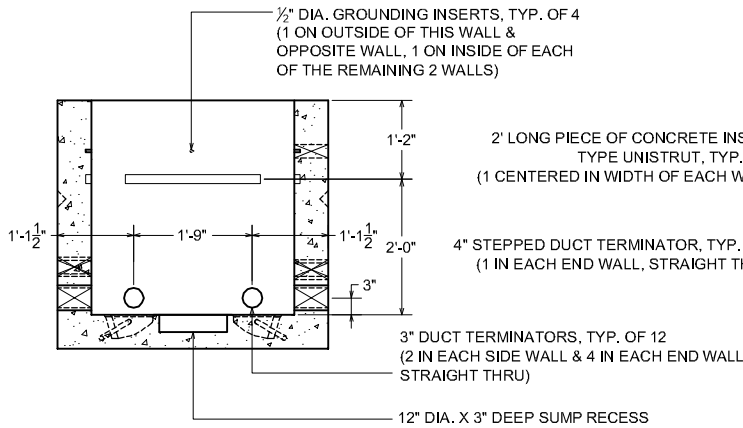
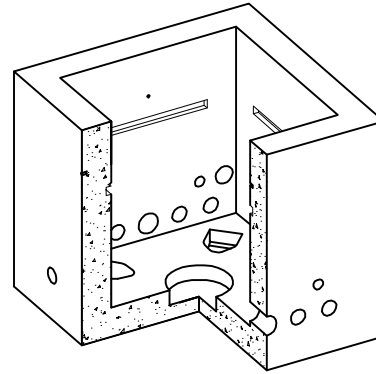
**PAD OPTIONS:**

- SECTIONALIZER CABINET PAD, SEE SHEET 2
- TRANSFORMER PAD, SEE SHEET 2

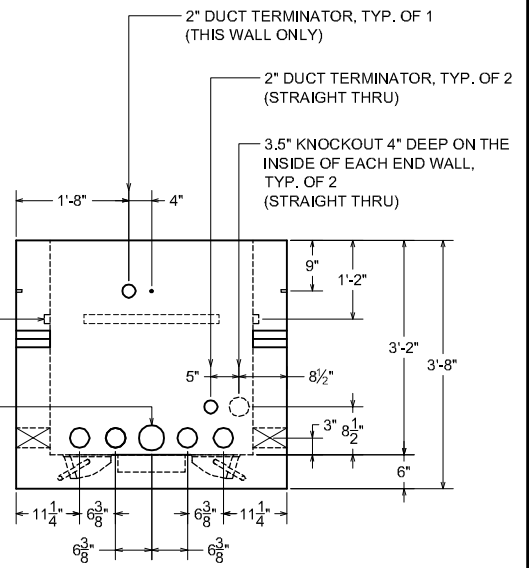


**PLAN VIEW**

4 POLYPROPYLENE ENCASED STEEL PULLING IRONS WITH POCKETS CAST IN THE FLOOR



**SECTION VIEW**



**END ELEVATION VIEW**

**WEIGHT:**

- VAULT WEIGHS APPX. 4,500 LBS.

**NOTES:**

- CONCRETE: 5000 P.S.I. MINIMUM
- REINFORCING: GRADE 60 MINIMUM REINFORCED WITH #4 @ 12" O.C.E.W.

ACTUAL DIMENSIONS OF CONCRETE PRODUCTS MAY VARY SLIGHTLY

**LIFTING DETAILS:**

VAULT TO LIFT WITH:

- (4) LIFT NOTCHES
- (4) PULLING IRONS IN THE FLOOR



DRAWING NOT TO SCALE

3x3 PADVAVLT.VWG  
DATE CREATED: 10/09  
UPDATED: -----

12650 Tucson Street • Henderson, Colorado 80640 • 303-659-3747, Fax 303-659-1333  
 2671 South Greeley Hwy • Cheyenne, Wyoming 82007 • 307-634-0695, Fax 307-634-0694  
 10021 Amarillo Blvd East • Amarillo, Texas 79108 • 806-374-3747, Fax 806-335-3717

[www.vaughnconcreteproducts.com](http://www.vaughnconcreteproducts.com)

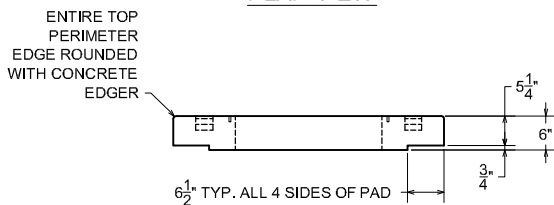
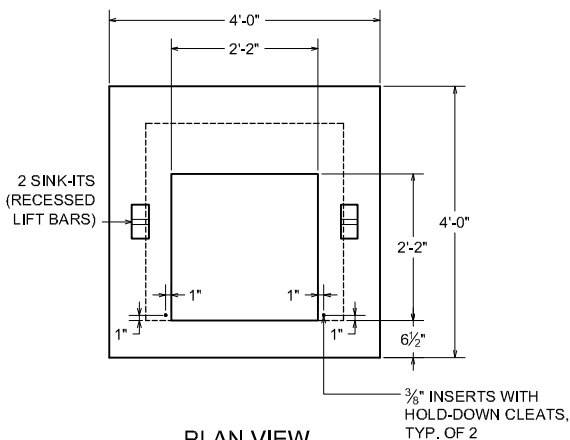
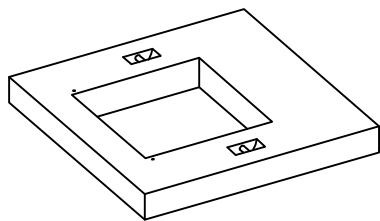
PRECAST CONCRETE

# PADVULT - SINGLE PHASE

3'-0" WIDE X 3'-0" LONG X 3'-2" TALL INSIDE DIMENSIONS

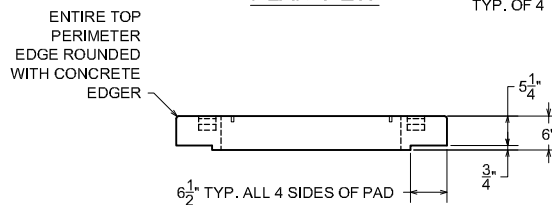
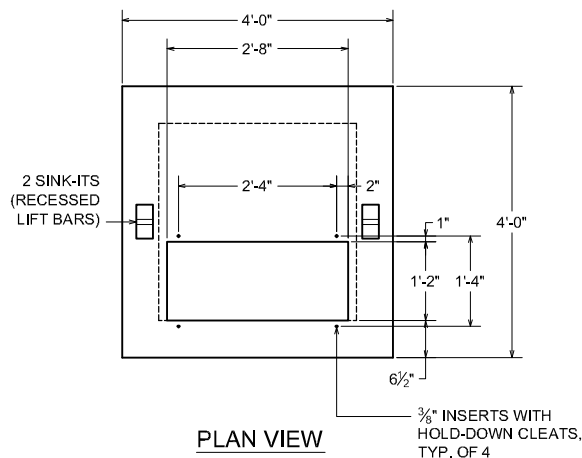
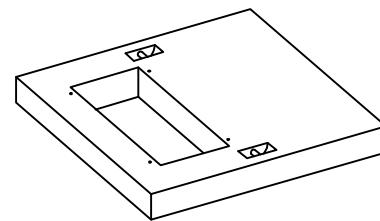
EQUAL TO PACIFICORP ZG 501

SHEET 2 OF 2



## TRANSFORMER PAD

LIFT WITH 2 SINK-ITS (RECESSED LIFT BARS)  
WEIGHT: 775 LBS.



## SECTIONALIZER CABINET PAD

LIFT WITH 2 SINK-ITS (RECESSED LIFT BARS)  
WEIGHT: 900 LBS.

### NOTES:

- CONCRETE: 5000 P.S.I. MINIMUM
- REINFORCING: GRADE 60 MINIMUM REINFORCED WITH #4 @ 12" O.C.E.W.

ACTUAL DIMENSIONS OF CONCRETE PRODUCTS MAY VARY SLIGHTLY

# vaughn concrete products, inc.

DRAWING NOT TO SCALE

3x3 PADVULT/211G  
DATE CREATED: 10/09  
UPDATED: -----

12650 Tucson Street • Henderson, Colorado 80640 • 303-659-3747, Fax 303-659-1333  
 2671 South Greeley Hwy • Cheyenne, Wyoming 82007 • 307-634-0695, Fax 307-634-0694  
 10021 Amarillo Blvd East • Amarillo, Texas 79108 • 806-374-3747, Fax 806-335-3717

[www.vaughnconcreteproducts.com](http://www.vaughnconcreteproducts.com)