

# PRECAST CONCRETE SEPTIC TANK

## 1000 GALLON CAPACITY

### MONOLITHIC BODY NO SEAMS OR JOINTS

3" THICK FLOOR & WALLS, 4" THICK LID

2 COMPARTMENT TANK WITH  
APPROXIMATELY 60% OF CAPACITY ON  
INLET SIDE

TANK IS PROVIDED WITH NOTCHES IN  
SIDEWALLS FOR SLIP-IN DIVIDER WALL

WITHSTANDS UP TO 6' OF BURY, RISERS  
ARE AVAILABLE FOR INLET & OUTLET

#### OPTIONS:

- \*\*8" THICK LID FOR TRAFFIC LOADINGS
- 24" I.D. MANHOLE RISERS
- CAST IRON RINGS & COVERS

PIPING KNOCKOUTS 18" FROM END OF  
TANK TO CENTER OF KNOCKOUT TO  
ALLOW FOR CONCRETE TO BE  
BROKEN OUT TO ALLOW FOR SIDE  
INLET OR OUTLET PIPE AT SAME  
HEIGHT AS STANDARD INLET &  
OUTLET, TYP. OF 4

#### DIGGING SPECIFICATIONS:

- 54" BELOW THE INLET
- EXCAVATION TO BE 7' WIDE X 10' LONG

OUR STANDARD 18" DIAMETER  
CONCRETE ACCESS LIDS, TYP. OF 3

PIPING BLOCKOUTS WITH POLYLOK  
PIPE SEALS CAST IN TANK FOR INLET  
& OUTLET PIPING (TYPICAL)

CONTRACTOR'S 4" PIPES

VCP SUPPLIED 4" SDR35  
INLET & OUTLET TEES

#### TANK WEIGHTS:

TANK WITH DIVIDER ONLY : 6,600 LBS.

#### NON-TRAFFIC RATED

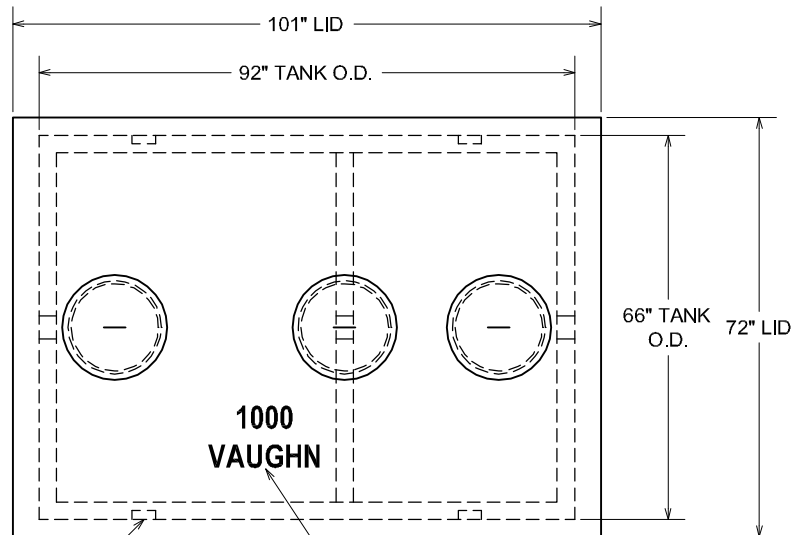
- TANK LID : 2,800 LBS.
- COMPLETE NON-TRFC TANK : 9,400 LBS.

#### TRAFFIC RATED

- TANK LID : 5,400 LBS.
- COMPLETE TRAFFIC TANK : 12,000 LBS.

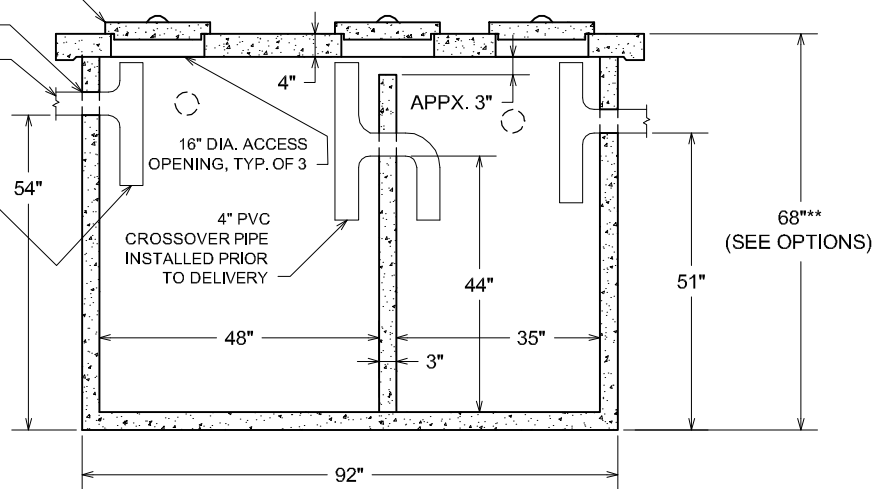
CONCRETE : 4,000 P.S.I. (MINIMUM)  
REINFORCING : REBAR & WELDED WIRE FABRIC

ACTUAL DIMENSIONS OF CONCRETE PRODUCTS MAY VARY SLIGHTLY



PLAN VIEW

DURING PRODUCTION, "TANK SIZE" &  
"VAUGHN" ARE STAMPED IN LID, "IN" &  
"OUT" ARE MARKED ON TANK ENDS



SECTION VIEW

DRAWING IS NOT TO SCALE

# Vaughn concrete products, inc.

1000 GAL. MONO-SEPTIC TANK.DWG  
DATE CREATED: 12/06  
UPDATE: -----

12650 Tucson Street • Henderson, Colorado 80640 • 303-659-3747, Fax 303-659-1333  
2671 South Greeley Hwy • Cheyenne, Wyoming 82007 • 307-634-0695, Fax 307-634-0694  
10021 Amarillo Blvd East • Amarillo, Texas 79108 • 806-374-3747, Fax 806-335-3717