

PRECAST CONCRETE ABOVE GROUND (AG)

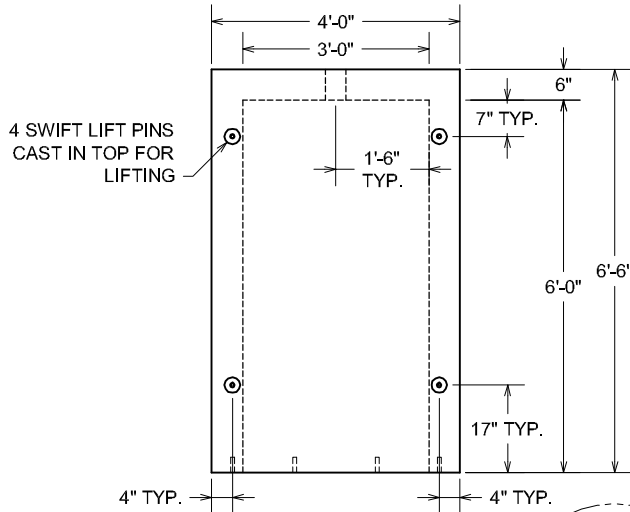
STORM SHELTER

LOCALLY MANUFACTURED, PRECAST CONCRETE SHELTER WITH STEEL DOOR,
BOTH CERTIFIED TO MEET NSSA/ICC STANDARDS

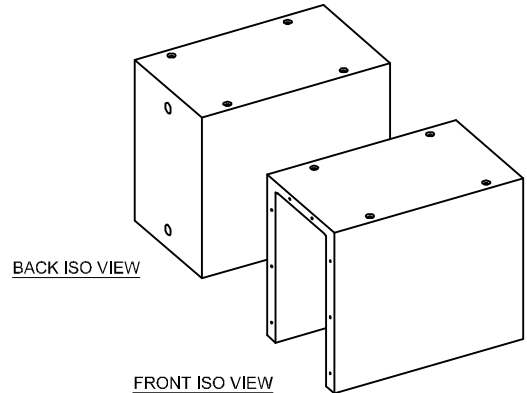
3'-0" WIDE X 6'-0" LONG X 5'-2³/₈" HIGH INSIDE DIMENSIONS

VCP ITEM #SS-3060-AG (6 PERSON*)

*THE NSSA/ICC STANDARDS FOR RESIDENTIAL TORNADO SHELTERS REQUIRE
3 SQUARE FEET OF USABLE FLOOR AREA/OCCUPANT



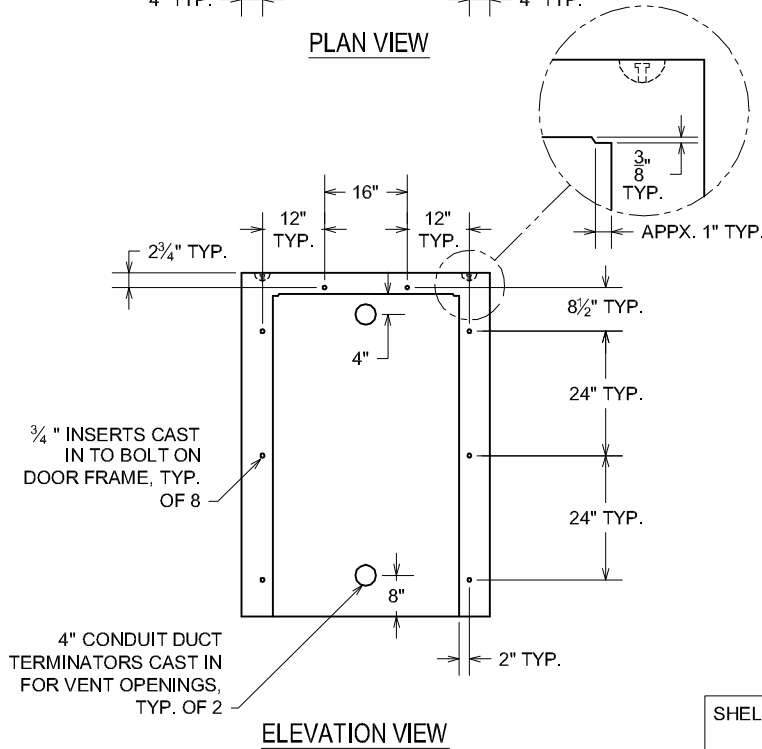
PLAN VIEW



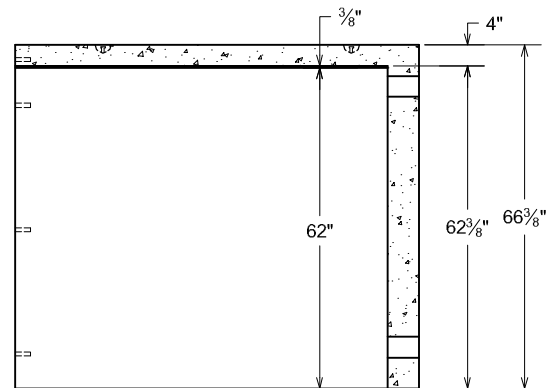
STORM SHELTER ALSO PROVIDED WITH:

STEEL DOOR CERTIFIED TO MEET NSSA STANDARD
(NOT SHOWN)

STEEL DEFLECTOR PLATES OVER THE 4" DUCT
TERMINATORS FOR VENTS
(NOT SHOWN)



ELEVATION VIEW



SECTION VIEW

SHELTER SETS ON TOP OF GROUND, EPOXIED TO THE
PURCHASER'S CONCRETE SLAB

UNIT WITH DOOR WEIGHS APPROXIMATELY 8,000 LBS.

*ACTUAL DIMENSIONS OF CONCRETE PRODUCTS MAY VARY SLIGHTLY
*PRODUCT & DRAWING SUBJECT TO CHANGE WITHOUT NOTICE

NOTES:

- CONCRETE: 5,000 P.S.I. (MINIMUM)
- REINFORCING: GRADE 60; EQUAL TO #4 REBARS @ 12" O.C.E.W. (MINIMUM)

DRAWING NOT TO SCALE

vaughn concrete products, inc.

SS-3060-AG.DWG
DATE CREATED: 5/07
UPDATED: 12/09

12650 Tucson Street • Henderson, Colorado 80640 • 303-659-3747, Fax 303-659-1333
 2671 South Greeley Hwy • Cheyenne, Wyoming 82007 • 307-634-0695, Fax 307-634-0694
 10021 Amarillo Blvd East • Amarillo, Texas 79108 • 806-374-3747, Fax 806-335-3717

www.vaughnconcreteproducts.com