

PRECAST CONCRETE ABOVE GROUND (AG)

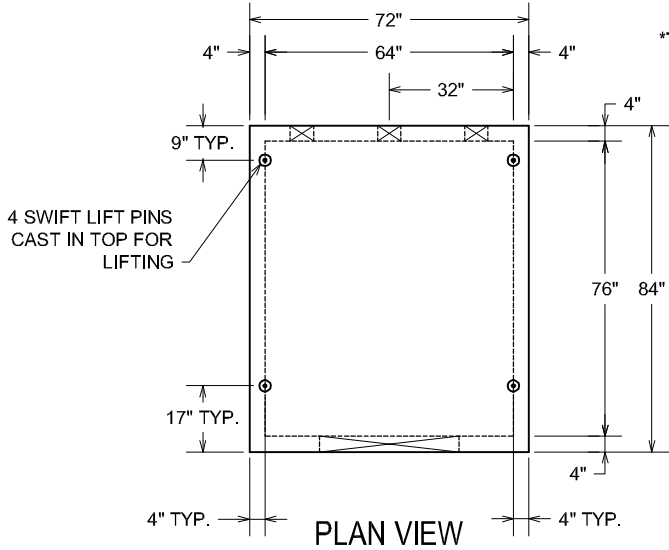
STORM SHELTER

LOCALLY MANUFACTURED, PRECAST CONCRETE SHELTER WITH STEEL DOOR,
BOTH CERTIFIED TO MEET NSSA/ICC STANDARDS

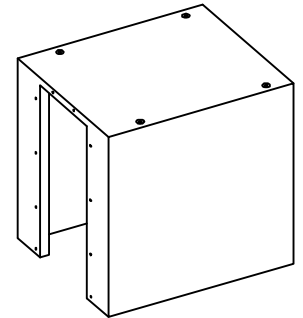
5'-4" (64") WIDE X 6'-4" (76") LONG X 6'-3³/₄" (75³/₄") HIGH INSIDE DIMENSIONS

VCP ITEM #SS-5363-AG (11 PERSON*)

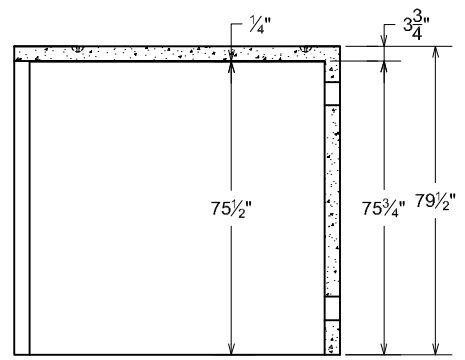
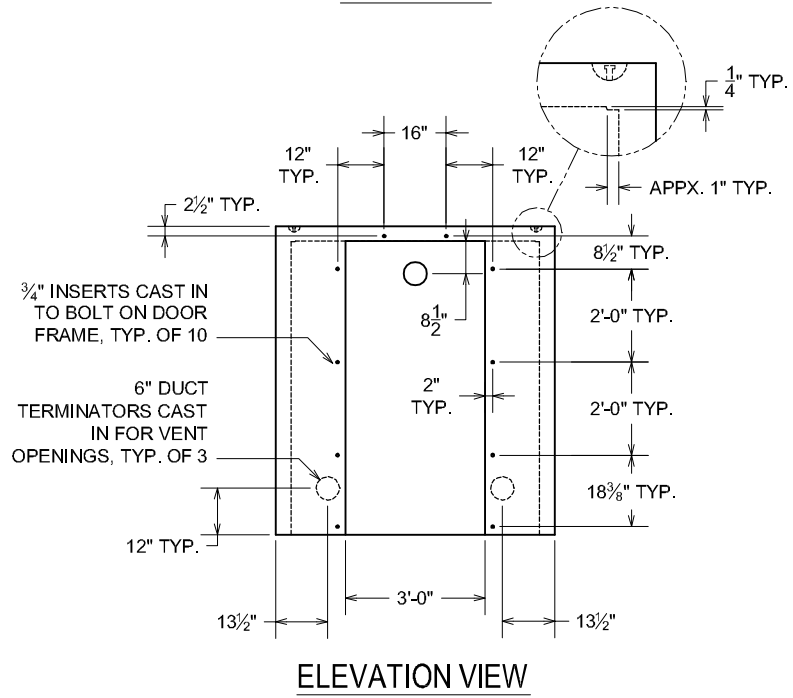
*THE NSSA/ICC STANDARDS FOR RESIDENTIAL TORNADO SHELTERS REQUIRE
3 SQUARE FEET OF USABLE FLOOR AREA/OCCUPANT



SHELTER SETS ON TOP
OF GROUND, EPOXIED
TO THE PURCHASER'S
CONCRETE SLAB



STORM SHELTER ALSO PROVIDED WITH:
STEEL DOOR CERTIFIED TO MEET NSSA STANDARD
(NOT SHOWN)
STEEL DEFLECTOR PLATES OVER THE 6" DUCT
TERMINATORS FOR VENTS
(NOT SHOWN)



UNIT WITH DOOR WEIGHS APPROXIMATELY 9,200 LBS.

NOTES:
- CONCRETE: 5,000 P.S.I. (MINIMUM)
- REINFORCING: GRADE 60; EQUAL TO #4 REBARS @ 12" O.C.E.W. (MIN.)

*ACTUAL DIMENSIONS OF CONCRETE PRODUCTS MAY VARY SLIGHTLY
*PRODUCT & DRAWING SUBJECT TO CHANGE WITHOUT NOTICE



DRAWING NOT TO SCALE

SS-5363-AG.DWG
DATE CREATED: 5/07
UPDATED: 12/09

12650 Tucson Street • Henderson, Colorado 80640 • 303-659-3747, Fax 303-659-1333
2671 South Greeley Hwy • Cheyenne, Wyoming 82007 • 307-634-0695, Fax 307-634-0694
10021 Amarillo Blvd East • Amarillo, Texas 79108 • 806-374-3747, Fax 806-335-3717

www.vaughnconcreteproducts.com