

PRECAST CONCRETE BELOW GROUND (BG)

# STORM SHELTER-RECTANGULAR

LOCALLY MANUFACTURED, PRECAST CONCRETE SHELTER WITH WALK-IN DOOR,  
BOTH CERTIFIED TO MEET NSSA STANDARD

STANDARD RECTANGULAR SIZES ARE SHOWN IN THE CHART BELOW  
(OTHER SIZES ARE AVAILABLE IN EVEN FOOT INCREMENTS BY SPECIAL ORDER ONLY)

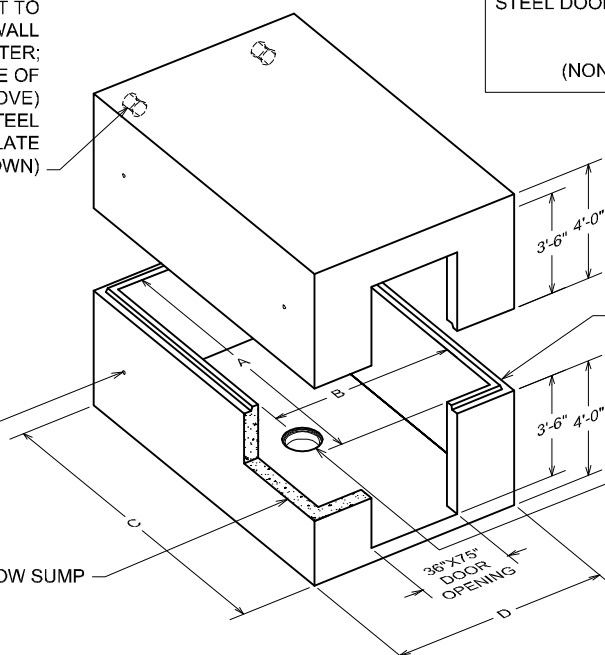
VCP ITEM #	INSIDE WIDTH A	INSIDE LENGTH B	OUTSIDE WIDTH C	OUTSIDE LENGTH D	INSIDE HEIGHT	NUMBER OF 6" VENTS	SIZE OF EXCAVATION
VCP #SS-50120-BGD	5'-0"	12'-0"	6'-0"	13'-0"	7'-0"	3	9'WX16' LX7'D**
VCP #SS-6080-BGD	6'-0"	8'-0"	7'-0"	9'-0"	7'-0"	2	10'WX12' LX7'D**
VCP #SS-60120-BGD	6'-0"	12'-0"	7'-0"	13'-0"	7'-0"	3	10'WX16' LX7'D**
VCP #SS-60160-BGD	6'-0"	16'-0"	7'-0"	17'-0"	7'-0"	4	10'WX20' LX7'D**
VCP #SS-60180-BGD	6'-0"	18'-0"	7'-0"	19'-0"	7'-0"	4	10'WX22' LX7'D**
VCP #SS-60240-BGD	6'-0"	24'-0"	7'-0"	25'-0"	7'-0"	6	10'WX28' LX7'D**
VCP #SS-80100-BGD	8'-0"	10'-0"	9'-0"	11'-0"	7'-0"	3	12'WX14' LX7'D**
VCP #SS-80120-BGD	8'-0"	12'-0"	9'-0"	13'-0"	7'-0"	4	12'WX15' LX7'D**
VCP #SS-100120-BGD	10'-0"	12'-0"	11'-0"	13'-0"	7'-0"	5	14'WX16' LX7'D**

DEPTH OF EXCAVATION TO ALLOW FOR A MINIMUM OF 6" OF AGGREGATE TO FACILITATE DRAINAGE BELOW THE SHELTER\*\*

6" CONDUIT DUCT TERMINATORS FOR VENT OPENINGS 9" OFF TOP OF VAULT TO CENTER & 15" OFF EACH OUTSIDE WALL TO CENTER;  
QUANTITY DEPENDENT UPON SIZE OF SHELTER (SEE CHART ABOVE)  
EACH VENT PROVIDED WITH STEEL DEFLECTOR PLATE (NOT SHOWN)

4 LIFTING INSERTS CAST IN EACH SECTION, PURCHASER'S EXCAVATION TO ALLOW A MINIMUM OF 18" CLEARANCE AROUND THE ENTIRE PERIMETER OF SHELTER FOR REMOVAL OF LIFTING BOLTS

CUT-AWAY TO SHOW SUMP



**STORM SHELTER ALSO PROVIDED WITH:**  
STEEL DOOR CERTIFIED TO MEET NSSA STANDARD  
STAIRWAY EXTENSION  
STAIRWAY ENTRY  
(NONE OF WHICH ARE SHOWN HERE)

STANDARD INSTALLATION PROVIDES UNIT TO PROTRUDE ABOVE GROUND LEVEL APPX. 18"

12" HDPE SUMP PAN CAST IN CENTER OF FLOOR WITH LID & HOLE (SHOWN WITHOUT LID)

**NOTES:**

- CONCRETE: 5000 P.S.I. MINIMUM
- REINFORCING: GRADE 60 MINIMUM
- \*TOP SECTIONS: #4@12" O.C.E.W. (OR EQUIVALENT STRUCTURAL MESH)
- \*BOTTOM SECTIONS: #5@12" O.C.E.W. (OR EQUIVALENT STRUCTURAL MESH)
- ALL REINFORCING CENTERED IN THE FLOOR, WALLS & ROOF THICKNESS

\*ACTUAL DIMENSIONS OF CONCRETE PRODUCTS MAY VARY SLIGHTLY  
\*PRODUCT & DRAWING SUBJECT TO CHANGE WITHOUT NOTICE

ALL BELOW GROUND (BG) STORM SHELTERS ARE PROVIDED WITH 12" DIAMETER HDPE SUMP PAN WITH DRAIN HOLE; 6" MINIMUM AGGREGATE BASIN TO FACILITATE DRAINAGE TO BE PLACED BELOW EACH SHELTER'S SUMP LOCATION PRIOR TO SETTING IT INTO THE READY EXCAVATION



DRAWING NOT TO SCALE

SS-RECTANGULAR-BGD.DWG  
DATE CREATED: 4/07  
UPDATED: 5/07

12650 Tucson Street • Henderson, Colorado 80640 • 303-659-3747, Fax 303-659-1333  
2671 South Greeley Hwy • Cheyenne, Wyoming 82007 • 307-634-0695, Fax 307-634-0694  
10021 Amarillo Blvd East • Amarillo, Texas 79108 • 806-374-3747, Fax 806-335-3717