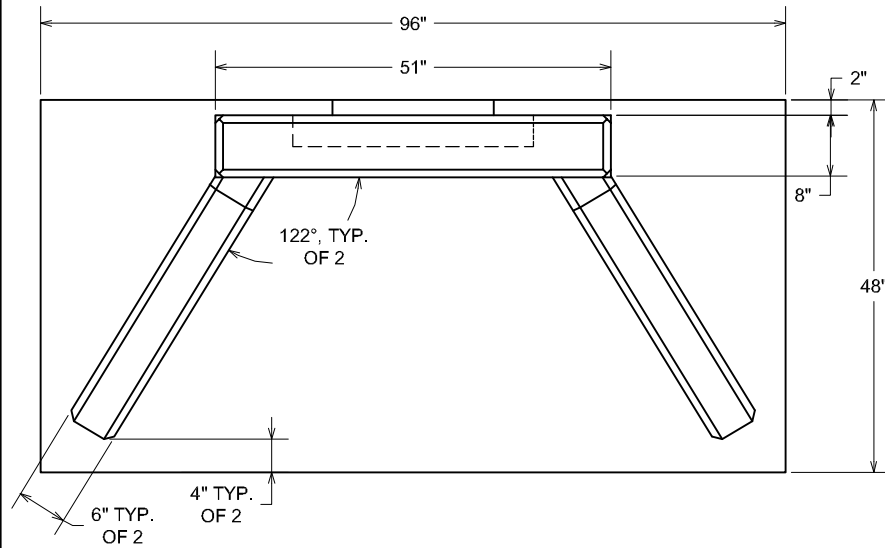
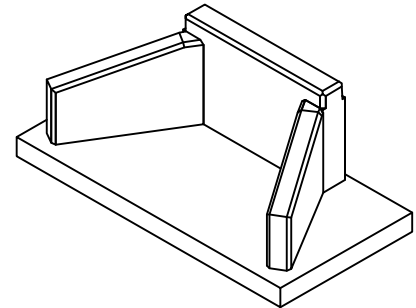
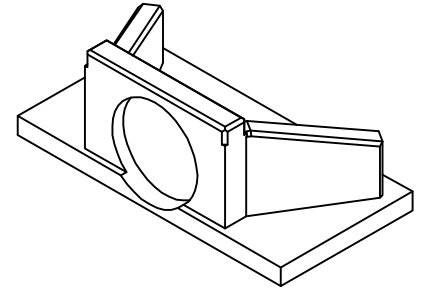


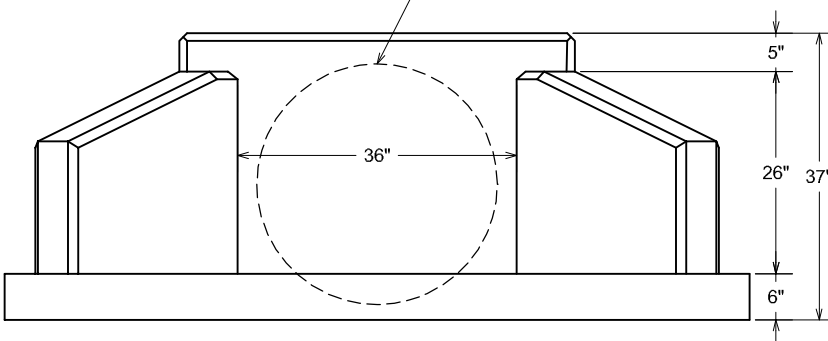
PRECAST CONCRETE LARGE HEADWALL



PLAN VIEW

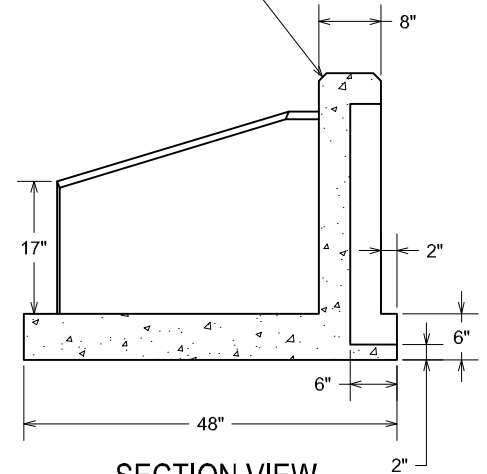


31" DIAMETER X 6" DEEP KNOCKOUT FOR
PIPE, 4" INTO THE FLOOR;
LEAVING 4" OF CONCRETE FOR FIELD
PLACEMENT OF PIPING OPENING



FRONT VIEW

1" X 45° CHAMFER,
TYP. OF 20 EDGES



SECTION VIEW

UNIT WEIGHS APPROXIMATELY 4,500 LBS.

CONCRETE: 4000 P.S.I. (MINIMUM)
REINFORCING: GRADE 60 (MINIMUM)

ACTUAL DIMENSIONS OF CONCRETE PRODUCTS MAY VARY SLIGHTLY

THE HEADWALL CAN BE CUSTOM MADE
TO ACCOMMODATE LARGER PIPE SIZES
THAN SHOWN OR MULTIPLE PIPES

DRAWING NOT TO SCALE

vaughn
concrete products, inc.

LARGE HEADWALL.DWG
DATE CREATED: 11/03
UPDATED: -----

12650 Tucson Street • Henderson, Colorado 80640 • 303-659-3747, Fax 303-659-1333
2671 South Greeley Hwy • Cheyenne, Wyoming 82007 • 307-634-0695, Fax 307-634-0694
10021 Amarillo Blvd East • Amarillo, Texas 79108 • 806-374-3747, Fax 806-335-3717