

PRECAST CONCRETE

SPHERICAL BOLLARD

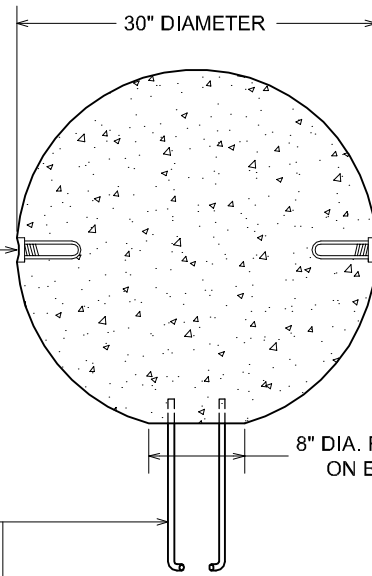
30" OUTSIDE DIAMETER

- GREAT FOR PROTECTING STORE FRONTS, SCHOOLS & RECREATIONAL FACILITIES OF ALL TYPES
- BOLLARD CAN BE PAINTED TO LOOK LIKE A BASEBALL, BASKETBALL, BOWLING BALL, POOL BALL, SOCCER BALL, TENNIS BALL, ETC.
- CONTRACTOR FRIENDLY
- EASY INSTALLATION

$\frac{3}{4}$ " REGULAR THREAD INSERTS RECESSED FOR LIFTING & HANDLING; PURCHASER TO GROUT SHUT AFTER PLACEMENT



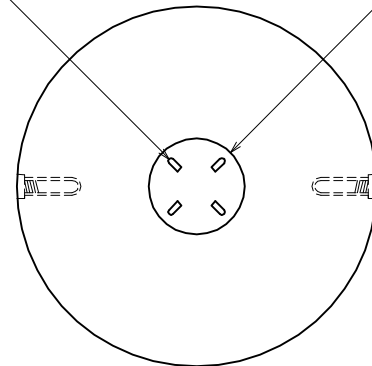
*BOLLARDS ARE NOT SUPPLIED RED, PURCHASER TO PAINT IF DESIRED



(4) $\frac{1}{2}$ " THREADED INSERTS CAST IN FOR $\frac{1}{2}$ " DIA. X 12" LONG ANCHOR BOLTS TO THREAD INTO

8" DIA. FLAT AREA ON BOTTOM

SECTION VIEW



BOTTOM VIEW

WEIGHT:

- BOLLARD WEIGHS APPX. 1,250 LBS.

NOTES:

- CONCRETE: 4000 P.S.I. MINIMUM
- REINFORCING: GRADE 60 MINIMUM

FINISH:

- STANDARD GREY CONCRETE FORM FINISH

ACTUAL DIMENSIONS OF CONCRETE PRODUCTS MAY VARY SLIGHTLY

STANDARD INSTALLATION:

NEW CONSTRUCTION:

1. PURCHASER TO CAST A 6" DIA. X 18" TALL SLEEVE OR SONO TUBE INTO CONCRETE SLAB.
2. AFTER SLAB IS CURED FILL THE SLEEVE OR TUBE WITH CONCRETE.
3. WHILE THE CONCRETE IN THE SLEEVE IS STILL WET, SET THE BOLLARD WITH ANCHOR BOLTS ATTACHED INTO THE SLEEVE CAST INTO THE SLAB.

PLACING IN EXISTING SIDEWALK/SLAB:

1. PURCHASER TO CORE 6" DIAMETER HOLE APPX. 18" DEEP.
2. FILL THE HOLE WITH CONCRETE.
3. WHILE THE CONCRETE IN THE HOLE IS STILL WET, SET THE BOLLARD WITH ANCHOR BOLTS ATTACHED INTO THE HOLE IN THE SLAB.

DRAWING NOT TO SCALE

SPHERICAL BOLLARD.DWG
DATE CREATED: 1/10
UPDATED: _____

vaughn
concrete products, inc.

12650 Tucson Street • Henderson, Colorado 80640 • 303-659-3747, Fax 303-659-1333
2671 South Greeley Hwy • Cheyenne, Wyoming 82007 • 307-634-0695, Fax 307-634-0694
10021 Amarillo Blvd East • Amarillo, Texas 79108 • 806-374-3747, Fax 806-335-3717

www.vaughnconcreteproducts.com