

PRECAST CONCRETE

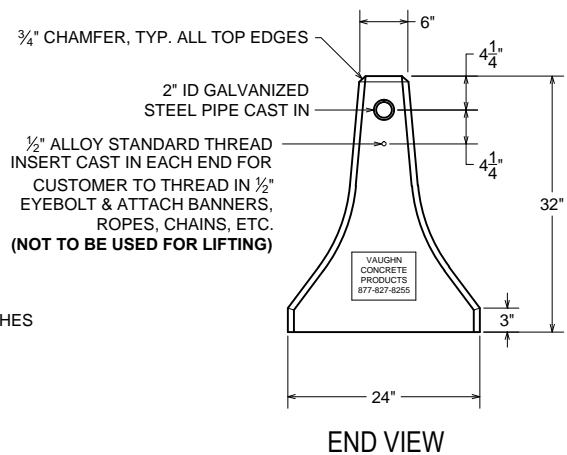
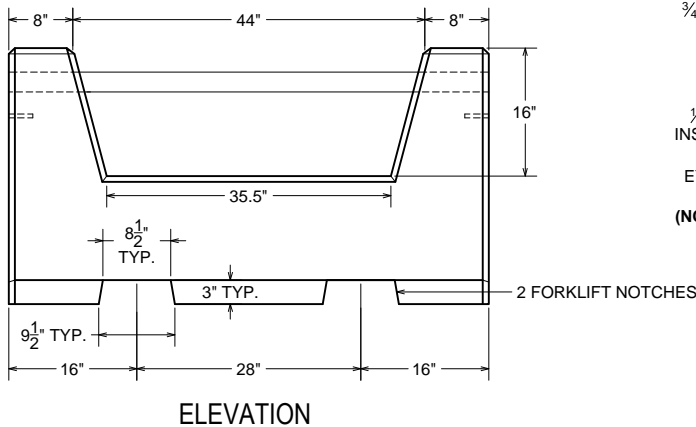
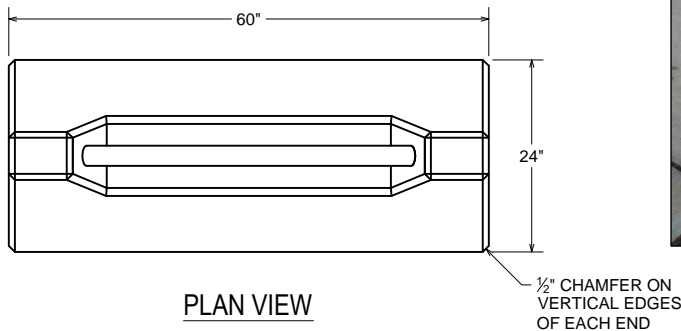
BARRIER BOLLARD

24" WIDE X 60" LONG X 32" TALL OVERALL DIMENSIONS

- GREAT FOR PROTECTING STORE FRONTS, SCHOOLS & RECREATIONAL FACILITIES OF ALL TYPES!
- GREAT FOR HITCHING HORSES!
- GREAT FOR SECURING BICYCLES!



STANDARD BOLLARDS SHOWN WITH GREY CONCRETE FORM FINISH



WEIGHT:

- BOLLARD WEIGHS APPX. 1,480 LBS.

NOTES:

- CONCRETE: 4000 P.S.I. MINIMUM
- REINFORCING: GRADE 60 MINIMUM

FINISH:

- STANDARD GREY CONCRETE FORM FINISH

- EXCELLENT FOR TRAFFIC CONTROL!
- EASILY MOVED WITH A SMALL FORKLIFT!
- CABLE, ROPE OR PENNANT BANNER CAN EASILY BE STRUNG FROM BOLLARD TO BOLLARD THROUGH THE 2" ID GALVANIZED STEEL PIPE!

ACTUAL DIMENSIONS OF CONCRETE PRODUCTS MAY VARY SLIGHTLY

vaughn
concrete products, inc.

DRAWING NOT TO SCALE

BARRIER BOLLARD.DWG
 DATE CREATED: 11/13
 UPDATED: -----

12650 Tucson Street • Henderson, Colorado 80640 • 303-659-3747, Fax 303-659-1333
 2671 South Greeley Hwy • Cheyenne, Wyoming 82007 • 307-634-0695, Fax 307-634-0694
 10021 Amarillo Blvd East • Amarillo, Texas 79108 • 806-374-3747, Fax 806-335-3717

www.vaughnconcreteproducts.com