

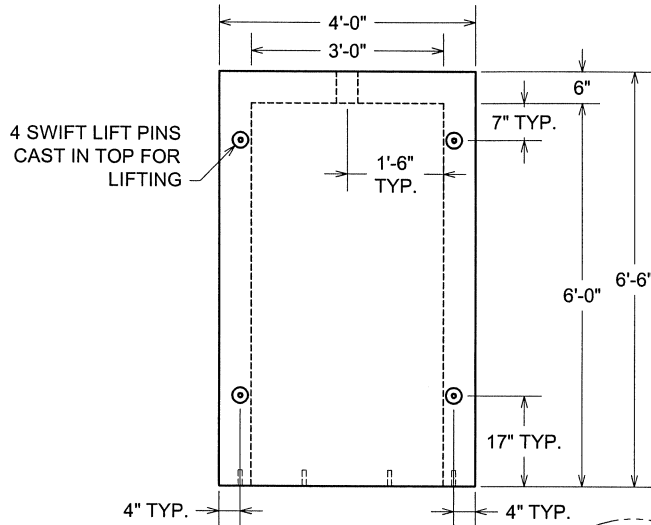
PRECAST CONCRETE ABOVE GROUND (AG)

# STORM SHELTER

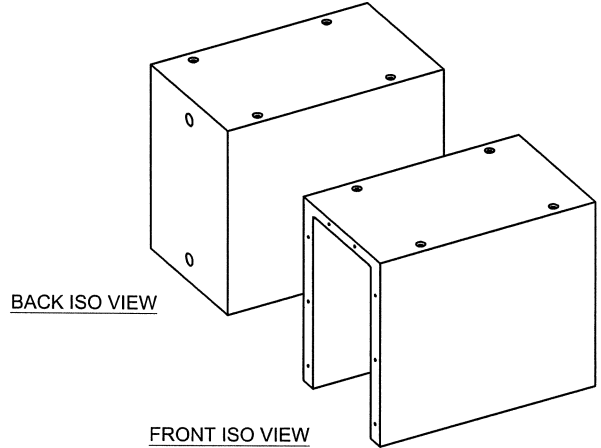
LOCALLY MANUFACTURED, PRECAST CONCRETE SHELTER WITH STEEL DOOR,  
BOTH CERTIFIED TO MEET NSSA STANDARD

3'-0" WIDE X 6'-0" LONG X 5'-2<sup>3</sup>/<sub>8</sub>" HIGH INSIDE DIMENSIONS

VCP ITEM #SS-3060-AG

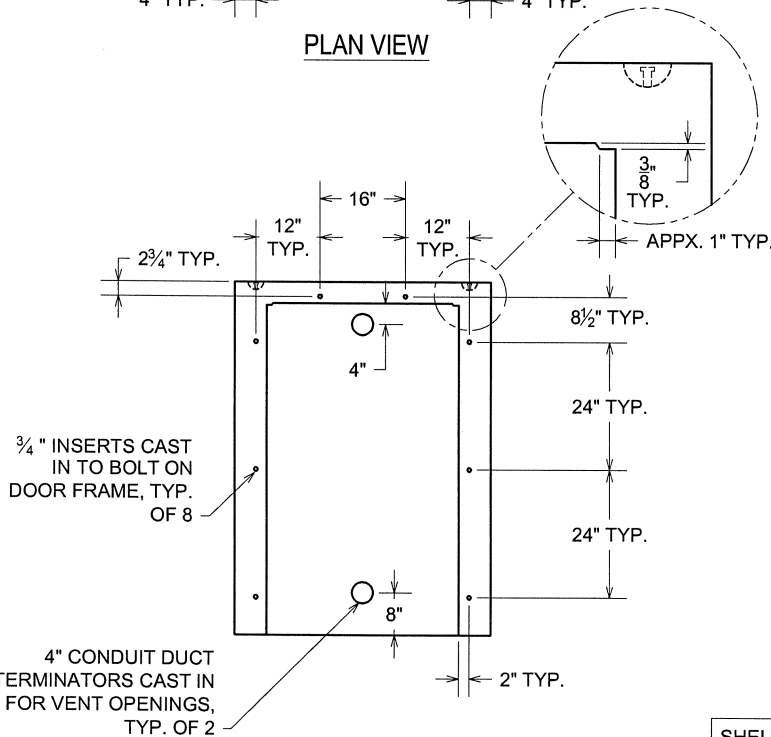


PLAN VIEW



BACK ISO VIEW

FRONT ISO VIEW

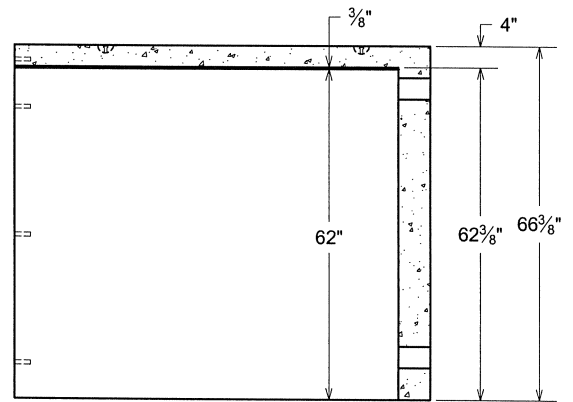


ELEVATION VIEW

STORM SHELTER ALSO PROVIDED WITH:

STEEL DOOR CERTIFIED TO MEET NSSA STANDARD  
(NOT SHOWN)

STEEL DEFLECTOR PLATES OVER THE 4" DUCT  
TERMINATORS FOR VENTS  
(NOT SHOWN)



SECTION VIEW

SHELTER SETS ON TOP OF GROUND, EPOXIED TO THE  
PURCHASER'S CONCRETE SLAB

UNIT WITH DOOR WEIGHS APPROXIMATELY 8,000 LBS.

\*ACTUAL DIMENSIONS OF CONCRETE PRODUCTS MAY VARY SLIGHTLY  
\*PRODUCT & DRAWING SUBJECT TO CHANGE WITHOUT NOTICE

**NOTES:**

- CONCRETE: 5,000 P.S.I. (MINIMUM)
- REINFORCING: GRADE 60; EQUAL TO #4 REBARS @ 12" O.C.E.W. (MINIMUM)



DRAWING NOT TO SCALE

SS-3060-AG.DWG  
DATE CREATED: 5 / 07  
UPDATED: -----