

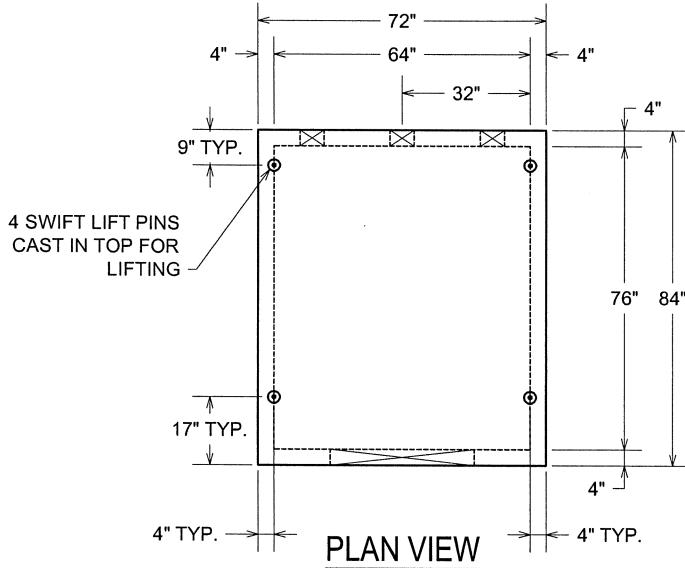
PRECAST CONCRETE ABOVE GROUND (AG)

STORM SHELTER

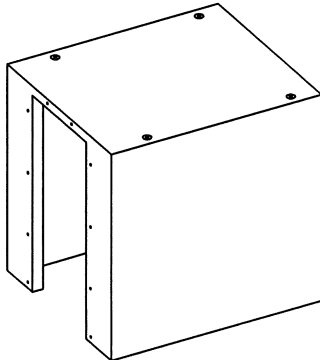
LOCALLY MANUFACTURED, PRECAST CONCRETE SHELTER WITH STEEL DOOR,
BOTH CERTIFIED TO MEET NSSA STANDARD

5'-4" (64") WIDE X 6'-4" (76") LONG X 6'-3³/₄" (75³/₄") HIGH INSIDE DIMENSIONS

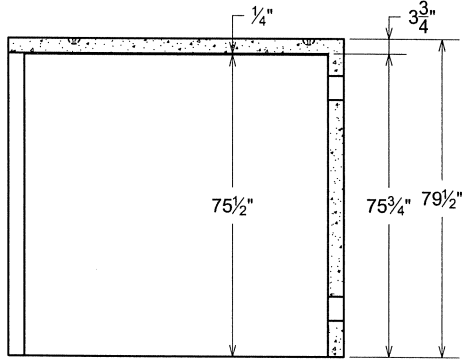
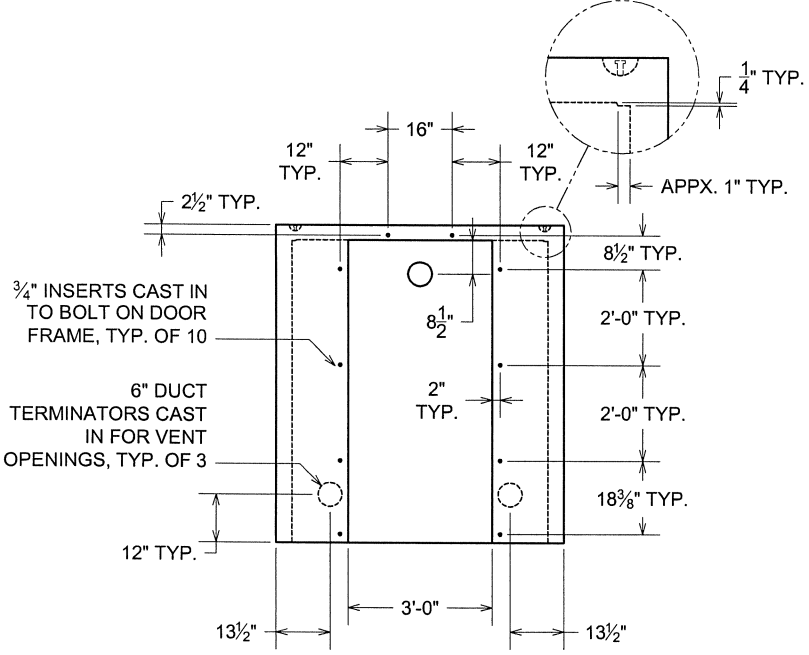
VCP ITEM #SS-5363-AG



SHELTER SETS ON TOP OF GROUND, EPOXIED TO THE PURCHASER'S CONCRETE SLAB



STORM SHELTER ALSO PROVIDED WITH:
STEEL DOOR CERTIFIED TO MEET NSSA STANDARD (NOT SHOWN)
STEEL DEFLECTOR PLATES OVER THE 6" DUCT TERMINATORS FOR VENTS (NOT SHOWN)



UNIT WITH DOOR WEIGHS APPROXIMATELY 9,200 LBS.
*ACTUAL DIMENSIONS OF CONCRETE PRODUCTS MAY VARY SLIGHTLY
*PRODUCT & DRAWING SUBJECT TO CHANGE WITHOUT NOTICE

NOTES:
- CONCRETE: 5,000 P.S.I. (MINIMUM)
- REINFORCING: GRADE 60; EQUAL TO #4 REBARS @ 12" O.C.E.W. (MIN.)



DRAWING NOT TO SCALE
SS-5363-AG.DWG
DATE CREATED: 5/07
UPDATED: -----