

PRECAST CONCRETE ABOVE GROUND (AG) STAND-ALONE COMMUNITY

STORM SHELTER

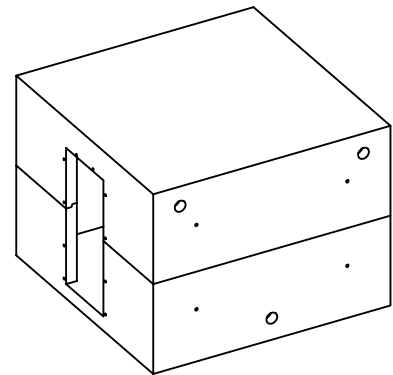
PRECAST CONCRETE SHELTER WITH TWO STEEL DOORS,
CERTIFIED TO MEET ALL NSSA/ICC STANDARDS
SATISFIES FEMA 320 & FEMA 361 REQUIREMENTS

10'-0" (120") WIDE X 10'-0" (120") LONG X 7'-0" (84") HIGH INSIDE DIMENSIONS

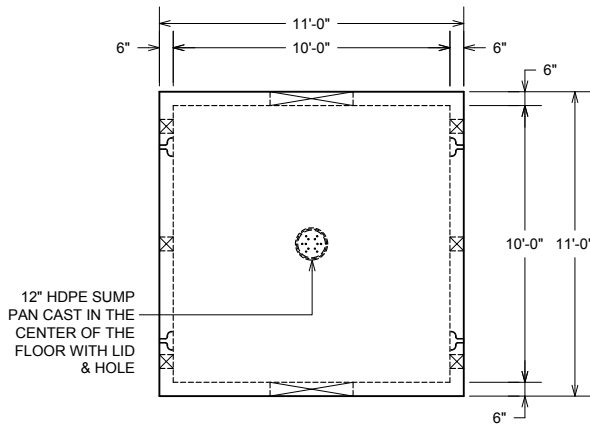
VCP ITEM #SS-10010070-AG (17 PERSON*)

*THE NSSA/ICC STANDARDS FOR COMMUNITY TORNADO SHELTERS REQUIRE 5 SQUARE FEET OF USABLE FLOOR AREA/OCCUPANT

2 SHELTERS CAN BE PLACED TOGETHER WITH DOOR OPENING BETWEEN SHELTERS



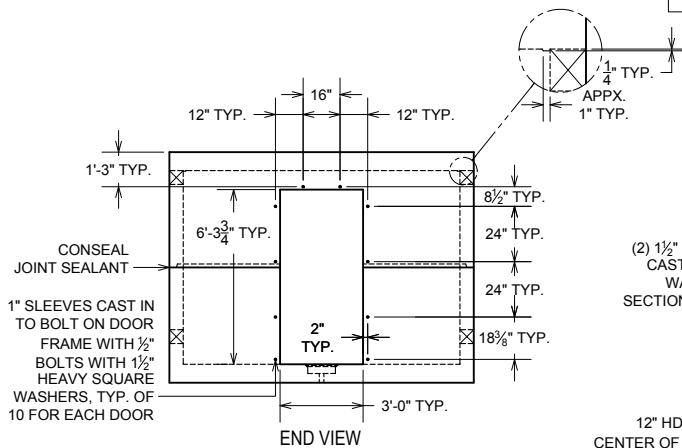
SHELTER SETS ON TOP OF GROUND, NO ANCHORING REQUIRED



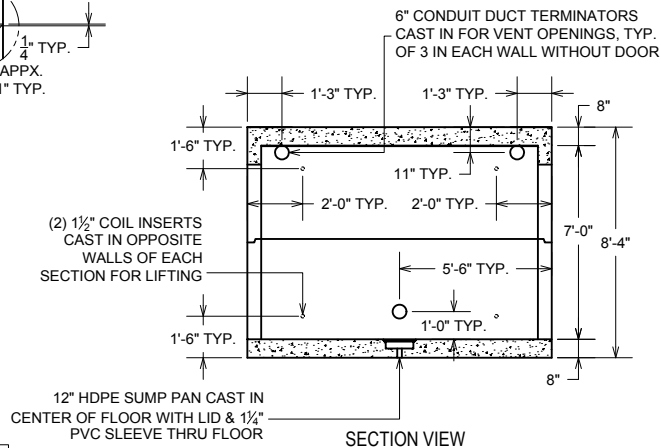
PLAN VIEW

STORM SHELTER ALSO PROVIDED WITH THE FOLLOWING ITEMS:

- (2) STEEL DOORS CERTIFIED TO MEET NSSA STANDARD
- STEEL DEFLECTOR PLATES OVER THE (6) 6" DUCT TERMINATORS FOR VENTS
- (1) PORTABLE TOILET WITH PRIVACY SCREEN
- (2) FLASHLIGHTS FOR EMERGENCY LIGHTING
- DECAL ON 1 DOOR WITH OUR COMPANY NAME, STORM TYPE, DESIGN WIND SPEED AND THE CAPACITY OF THE SHELTER
- HAZARD RECOGNITION LETTERS MOUNTED TO INSIDE WALL OF SHELTER ADJACENT TO EACH DOOR



END VIEW



SECTION VIEW

UNIT WITH DOORS WEIGHS APPROXIMATELY 46,000 LBS.
 TOP HALF OF SHELTER WEIGHS APPX. 23,000 LBS.
 BOTTOM HALF OF SHELTER WEIGHS APPX. 22,500 LBS.

*ACTUAL DIMENSIONS OF CONCRETE PRODUCTS MAY VARY SLIGHTLY
 *PRODUCT & DRAWING SUBJECT TO CHANGE WITHOUT NOTICE

NOTES:

- CONCRETE: 5,000 P.S.I. (MINIMUM)
- REINFORCING: GRADE 60; EQUAL TO #4 REBARS @ 12" O.C.E.W. (MIN.)
- SEE STRUCTURAL DESIGN FOR COMPLETE REINFORCING DETAILS

DRAWING NOT TO SCALE

SS-10010070-AG.DWG
 DATE CREATED: 4 / 2013
 UPDATED: -----



12650 Tucson Street • Henderson, Colorado 80640 • 303-659-3747, Fax 303-659-1333
 2671 South Greeley Hwy • Cheyenne, Wyoming 82007 • 307-634-0695, Fax 307-634-0694
 10021 Amarillo Blvd East • Amarillo, Texas 79108 • 806-374-3747, Fax 806-335-3717

www.vaughnconcreteproducts.com