

Precast Concrete

SECONDARY CONTAINMENT VAULT

USED FOR HOUSING UNDERGROUND STORAGE TANKS THAT STORE PETROLEUM PRODUCTS AND OTHER POTENTIALLY HAZARDOUS MATERIALS

BOTTOM SECTION IS MONOLITHIC AND IS DESIGNED TO CONTAIN APPROXIMATELY 120% OF STORAGE TANKS CAPACITY

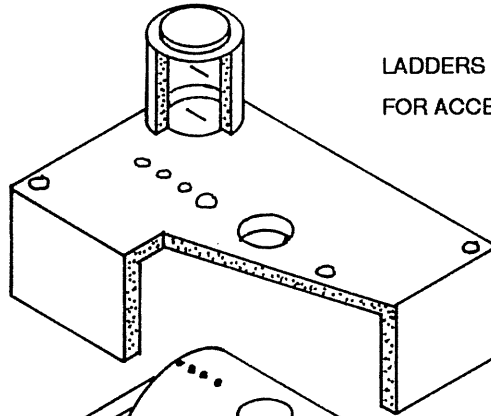
CAST IRON RING AND COVER (WATERTIGHT)

LADDERS OR STEPS PROVIDED FOR ACCESS

BENEFITS

ALLOWS VISUAL INSPECTION OF TANK. THEREFORE MINIMIZES THE NUMBER OF REQUIREMENT NEEDED TO BE IN COMPLIANCE WITH UNDERGROUND STORAGE TANK (UST) REGULATIONS.

ALLOWS ACCESS FOR REPAIRS



STANDARD SHIP LAP JOINT AT JOINT BETWEEN SECTIONS

DESIGNED TO SATISFY AASHTO HS-20-44 LOADINGS

SEE TABLE FOR DIMENSIONS OF STANDARD UNITS

OPENINGS IN TOP PROVIDED FOR :
HIGH VENT, LOW VENT
FILL RISER
VAPOR RECOVERY LINE
MONITOR RISER
EMERGENCY RELIEF VENT
TANK ACCESS WHEN APPLICABLE
FRESH AIR BLOWER PIPE

Actual dimensions of concrete products may vary slightly

vaughn
concrete products, inc.

12650 Tucson Street • Henderson, Colorado 80640 • 303-659-3747, Fax 303-659-1333
2671 So. Greeley Hwy • Cheyenne, Wyoming 82007 • 307-634-0695, Fax 307-634-0694
10021 Amarillo Blvd. East • Amarillo, Texas 79107 • 806-374-3747, Fax 806-335-3717

SECONDARY CONTAINMENT VAULT

Standard Monolithic Sizes Shown Are For Determining Containment Capacity
 Desired Inside Vault Height May Be Achieved With Adding Top Section and
 Intermediate Sections As Required For Additional Height

Other Sizes Are Available in Even Foot Increments By Special Order

VCP Item # Specify Inside Height With Last 2 Numbers	A Inside Width	B Inside Length	C Inside Maximum Height	D Outside Width	E Outside Length	F Outside Height	G Lid
VCP 2020	2'	2'	4'	3'	3'	4'-6"	6"
VCP 2030	2'	3'	4'	3'	4'	4'-6"	6"
VCP 2530	2'-6"	3'	4'	3'6"	4'	4'-6"	6"
VCP 3030	3'	3'	4'	4'	4'	4'-6"	6"
VCP 3050	3'	5'	4'	4'	6'	4'-6"	6"
VCP 4040	4'	4'	6'	5'	5'	6'-6"	6"
VCP 4060	4'	6'	4'	5'	7'	4'-6"	6"
VCP 5050	5'	5'	4'	6'	6'	4'-6"	8"
VCP 50120	5'	12'	4'	6'	13'	4'-6"	8"
VCP 6060	6'	6'	6'	7'	7'	6'-6"	8"
VCP 6080	6'	8'	4'	7'	9'	4'-6"	8"
VCP 60120	6'	12'	4'	7'	13'	4'-6"	8"
VCP 60160	6'	16'	4'	7'	17'	4'-6"	8"
VCP 60180	6'	18'	4'	7'	19'	4'-6"	8"
VCP 60240	6'	24'	4'	7'	25'	4'-6"	8"
VCP 8080	8'	8'	4'	9'	9'	4'-6"	8"
VCP 80100	8'	10'	4'	9'	11'	4'-6"	8"
VCP 80120	8'	12'	4'	9'	13'	4'-6"	8"
VCP 9090	9'	9'	4'	10'	10'	4'-6"	8"
VCP 100100	10'	10'	4'	11'	11'	4'-8"	12"
VCP 100120	10'	12'	4'	11'	13'	4'-8"	12"

Larger Sizes Are Available - Contact Vaughn Concrete Products

Size Specification Example: Vault with inside dimensions 5' wide x 12' long
 x 8'-0" high,
 Item #VCP SC 5012080 For 1000 Gallon Tank

Vault Options: See vault options sheets for more information for
 ordering options.