

PRECAST CONCRETE SMALL WELL PIT

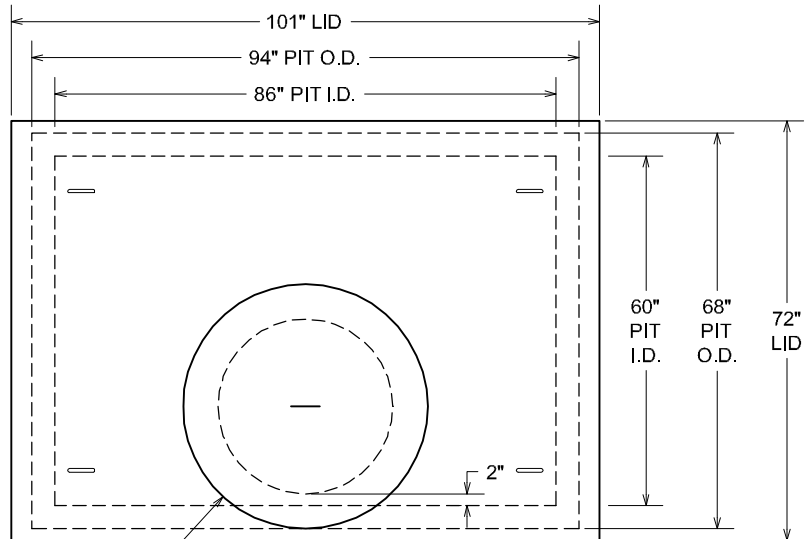
**STANDARD UNIT
NOT FOR TRAFFIC LOADINGS**

TANK WITHSTANDS UP TO 6 FT. OF BURY

**MONOLITHIC BODY
WITH 4" WALLS &
REMOVABLE LID**

OPTIONS:

- 30" I.D. (36" O.D.) X 12" TALL WELL PIT RISER
- 36" DIAMETER CONCRETE ACCESS LID
- 30" DIAMETER CAST IRON RING & COVER TO SET ON TOP OF OPENING IN LID
- JOINT SEALANT TO GO BETWEEN SECTIONS

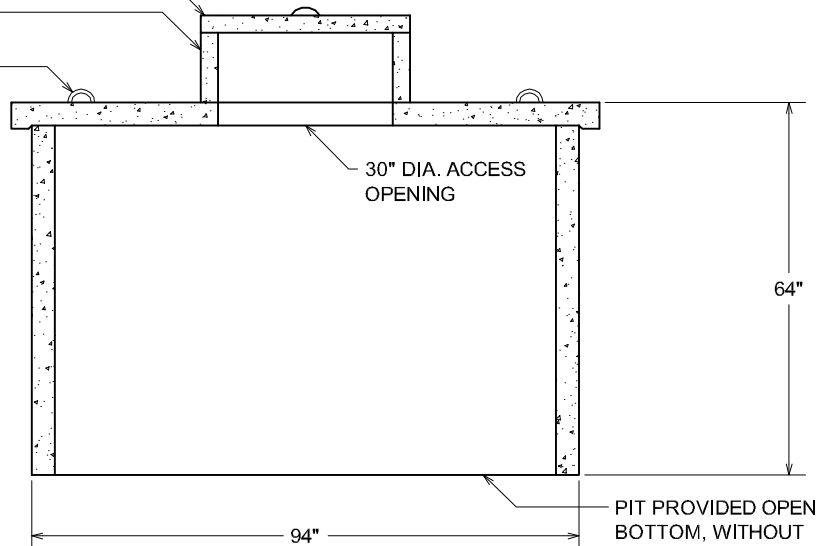


PLAN VIEW

36" DIAMETER CONCRETE ACCESS LID TO FIT OVER 30" DIAMETER ACCESS OPENING (OPTIONAL ITEM, MUST BE ORDERED SEPARATELY)

30" I.D. (36" O.D.) X 12" TALL WELL PIT RISER (OPTIONAL ITEM, MUST BE ORDERED SEPARATELY)

LID PROVIDED WITH 4 REBAR LIFT LOOPS



SECTION VIEW

EXCAVATION TO BE PROPERLY PREPARED WITH SUITABLE MATERIAL TO PLACE STRUCTURE ONTO

WELL PIT WEIGHTS:

- WELL PIT LID : 2,800 LBS.
- STANDARD TANK : 6,000 LBS.

CONCRETE : 4,000 P.S.I. (MINIMUM)
REINFORCING : REBAR & WELDED WIRE FABRIC

ACTUAL DIMENSIONS OF CONCRETE PRODUCTS MAY VARY SLIGHTLY

DRAWING IS NOT TO SCALE

SMALL WELL PIT, DWG
DATE CREATED: 12/06
UPDATED: -----



12650 Tucson Street • Henderson, Colorado 80640 • 303-659-3747, Fax 303-659-1333
2671 South Greeley Hwy • Cheyenne, Wyoming 82007 • 307-634-0695, Fax 307-634-0694
10021 Amarillo Blvd East • Amarillo, Texas 79108 • 806-374-3747, Fax 806-335-3717