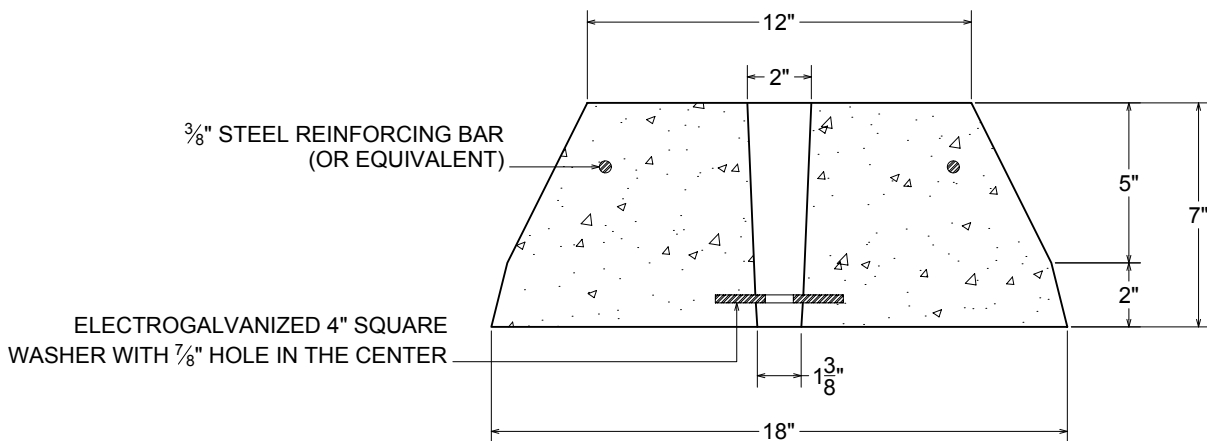
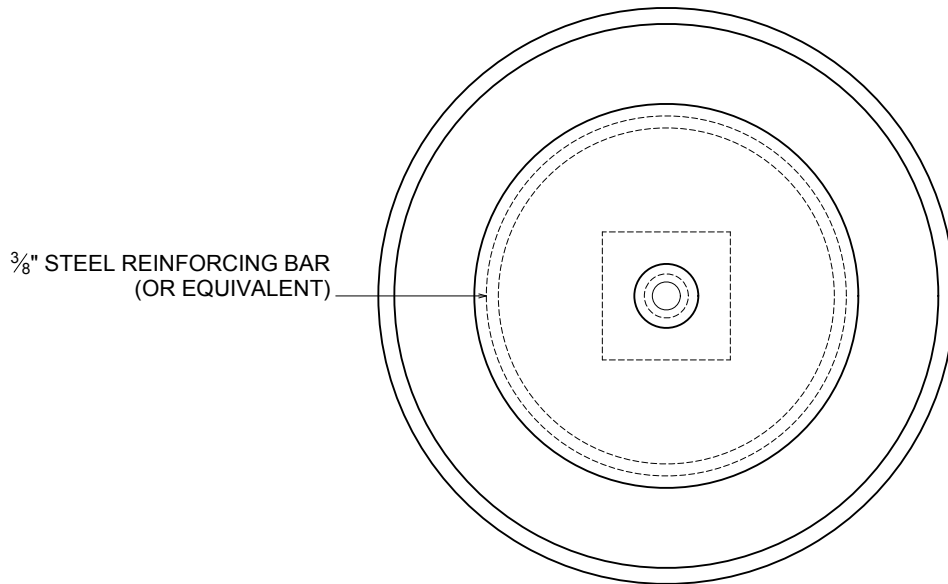


PRECAST CONCRETE

CONE ANCHOR - 18"

MEETS MOST PUBLIC SERVICE COMPANY SPECIFICATIONS



WEIGHT:

- CONE ANCHOR WEIGHS APPX. 104 LBS.

NOTES:

- CONCRETE: 4000 P.S.I. MINIMUM
- REINFORCING: GRADE 60 MINIMUM

ACTUAL DIMENSIONS OF CONCRETE PRODUCTS MAY VARY SLIGHTLY

vaughn
concrete products, inc.

DRAWING NOT TO SCALE

CONE ANCHOR-18.DWG
DATE CREATED: 10/10
UPDATED: -----

12650 Tucson Street • Henderson, Colorado 80640 • 303-659-3747, Fax 303-659-1333
2671 South Greeley Hwy • Cheyenne, Wyoming 82007 • 307-634-0695, Fax 307-634-0694
10021 Amarillo Blvd East • Amarillo, Texas 79108 • 806-374-3747, Fax 806-335-3717

www.vaughnconcreteproducts.com