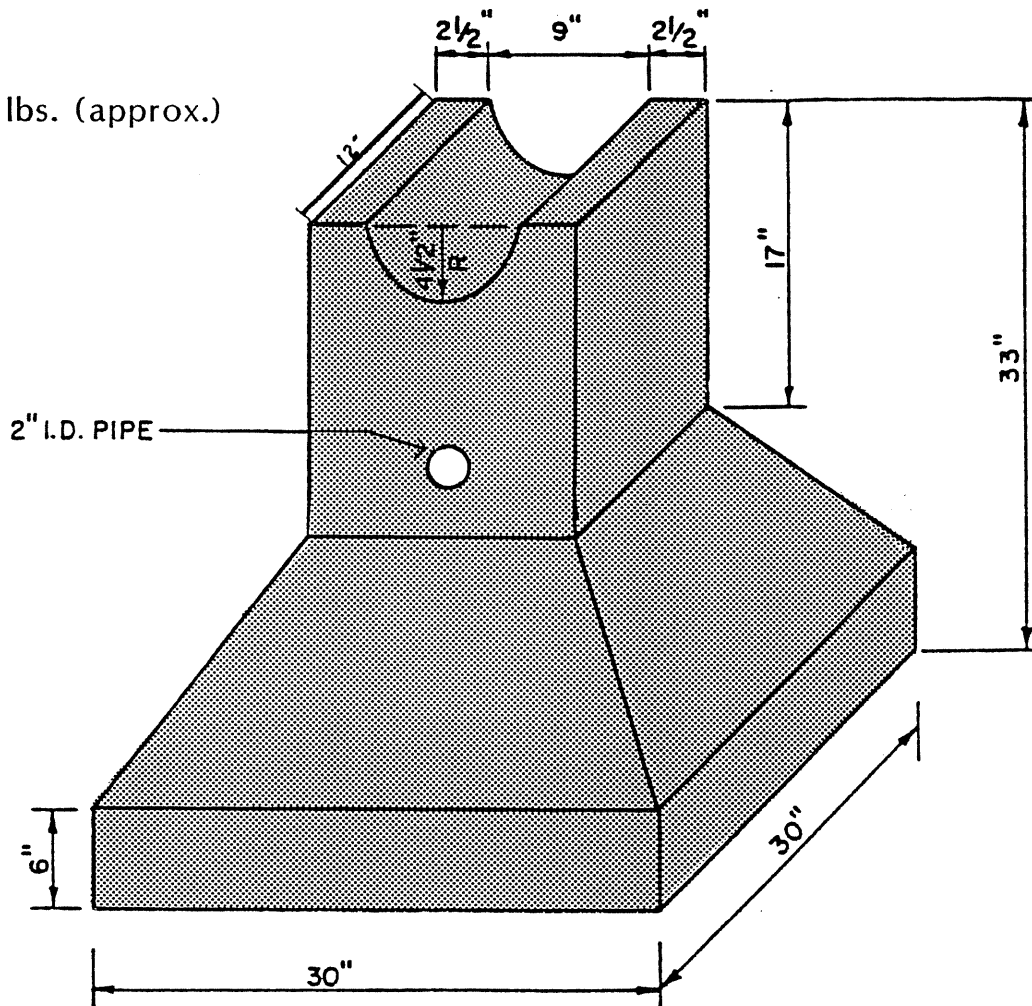


Precast Concrete
POLE RACK

1,100 lbs. (approx.)



- Meets most Public Utility Companies' specifications
- Easy handling and placement
- High quality casting: smooth, uniform finish.
- Maximum versatility: Can be used for both permanent or temporary locations

actual dimensions of concrete products may vary slightly

Vaughn
concrete products, inc.

12650 Tucson Street • Henderson, Colorado 80640 • 303-659-3747, Fax 303-659-1333
2671 So. Greeley Hwy • Cheyenne, Wyoming 82007 • 307-634-0695, Fax 307-634-0694
10021 Amarillo Blvd. East • Amarillo, Texas 79107 • 806-374-3747, Fax 806-335-3717