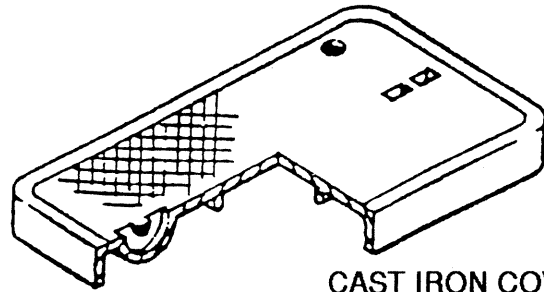
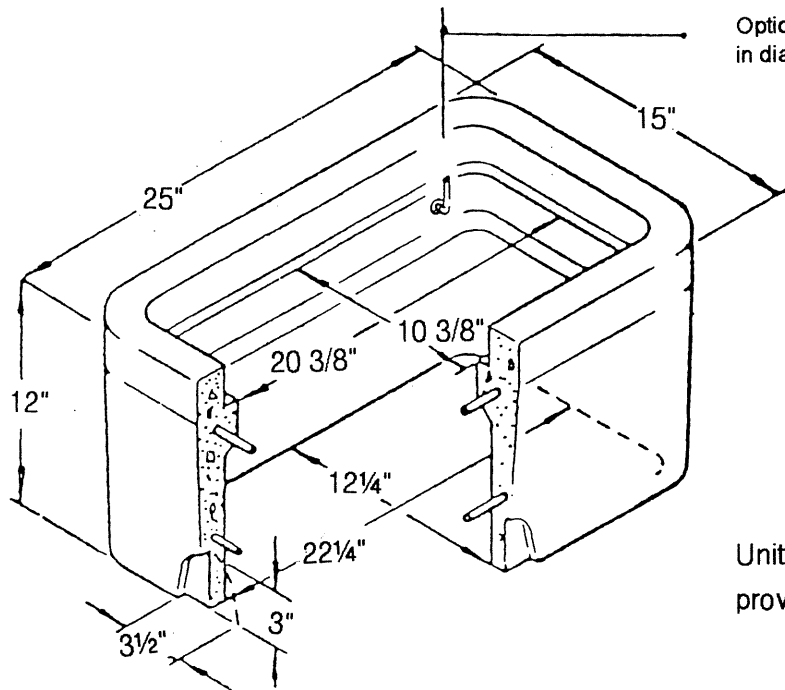


Precast Concrete
#5 PULL BOX



CAST IRON COVER FOR H-20 LOADING

Approx. Weight: Box 85 Lbs.
Lid 40 Lbs.



Optional brass "L" bolts & nuts
in diagonal corners

Units can be stacked to
provide additional depth

Actual dimensions of concrete products may vary slightly.

vaughn
concrete products, inc.

12650 Tucson Street • Henderson, Colorado 80640 • 303-659-3747, Fax 303-659-1333
2671 So. Greeley Hwy • Cheyenne, Wyoming 82007 • 307-634-0695, Fax 307-634-0694
10021 Amarillo Blvd. East • Amarillo, Texas 79107 • 806-374-3747, Fax 806-335-3717