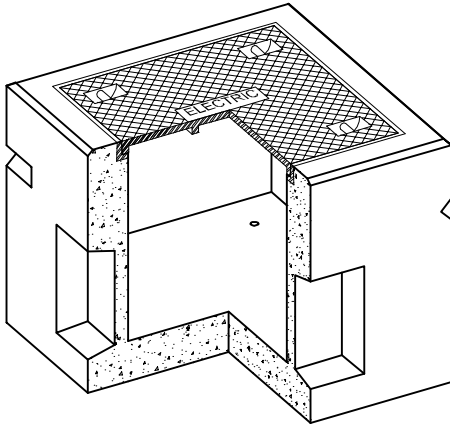
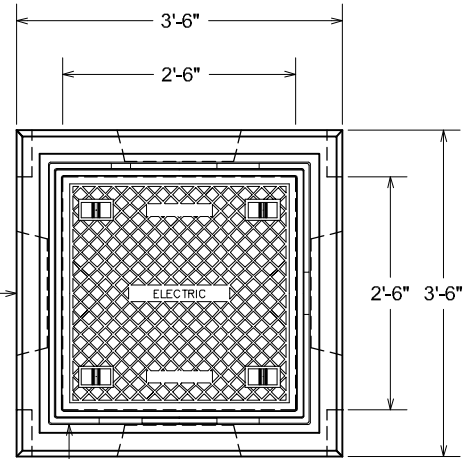


PRECAST CONCRETE PULLBOX/HANDHOLE

2'-6" WIDE X 2'-6" LONG X 2'-6" OR 3'-0" HIGH
INSIDE DIMENSIONS WITH FLOOR
VCP ITEM #252525 OR #252530 PULLBOX



14"x14"x4" DEEP CONDUIT
KNOCKOUTS AT FLOOR LEVEL,
CENTERED IN WIDTH OF EACH
WALL, TYP. OF 4



PLAN VIEW

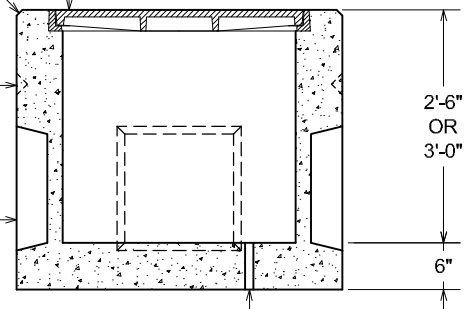
OUR STANDARD CAST IRON
FRAME & COVER CAST IN

ENTIRE TOP PERIMETER
EDGE IS CHAMFERED

PROVIDED WITH LIFT NOTCHES
FOR HANDLING, TYP. OF 4

14"x14"x4" DEEP CONDUIT
KNOCKOUTS AT FLOOR LEVEL,
CENTERED IN WIDTH OF EACH
WALL, TYP. OF 4

1" SLEEVE CAST IN FOR
GROUND ROD, 6" OFF EACH
INSIDE WALL OF VAULT



SECTION VIEW

WEIGHTS:

- COMPLETE 2'-6" DEEP PULLBOX WEIGHS APPX. 3,200 LBS.
- COMPLETE 3'-0" DEEP PULLBOX WEIGHS APPX. 3,700 LBS.
- CAST IRON COVER ONLY WEIGHS APPX. 300 LBS.

NOTES:

- CONCRETE: 4000 P.S.I. MINIMUM
- REINFORCING: GRADE 60 MINIMUM
- FLOOR & WALLS TO BE 6" THICK
- SUITABLE FOR AASHTO HS-20-44 LOADINGS WHEN PLACED ON MATERIAL CAPABLE OF SUPPORTING THE LOADINGS

ACTUAL DIMENSIONS OF CONCRETE PRODUCTS MAY VARY SLIGHTLY

vaughn
concrete products, inc.

DRAWING NOT TO SCALE

2-6X2-6 PULLBOX.DWG
DATE CREATED: 12/08
UPDATE:

12650 Tucson Street • Henderson, Colorado 80640 • 303-659-3747, Fax 303-659-1333
2671 South Greeley Hwy • Cheyenne, Wyoming 82007 • 307-634-0695, Fax 307-634-0694
10021 Amarillo Blvd East • Amarillo, Texas 79108 • 806-374-3747, Fax 806-335-3717