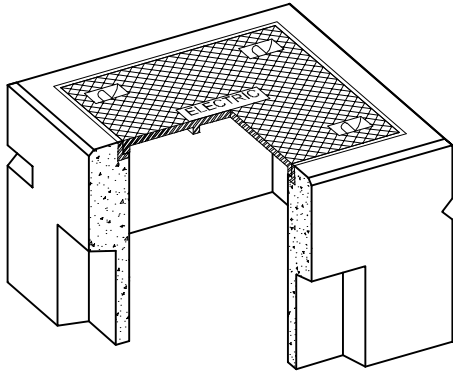
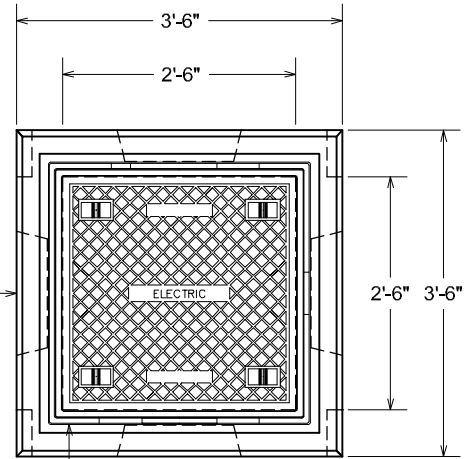


PRECAST CONCRETE  
**PULLBOX/HANDHOLE**

2'-6" WIDE X 2'-6" LONG X 2'-6" HIGH  
 INSIDE DIMENSIONS WITHOUT FLOOR  
 VCP ITEM #252525NF PULLBOX



14"x14"x4" DEEP CONDUIT  
 KNOCKOUTS AT BOTTOM OF BOX,  
 CENTERED IN WIDTH OF EACH WALL,  
 TYP. OF 4



PLAN VIEW

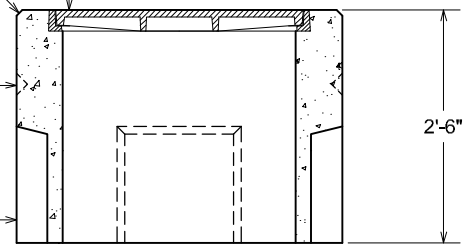
OUR STANDARD CAST IRON  
 FRAME & COVER CAST IN

ENTIRE TOP PERIMETER  
 EDGE IS CHAMFERED

PROVIDED WITH LIFT NOTCHES  
 FOR HANDLING, TYP. OF 4

14"x14"x4" DEEP CONDUIT  
 KNOCKOUTS AT BOTTOM OF BOX,  
 CENTERED IN WIDTH OF EACH WALL,  
 TYP. OF 4

OPEN BOTTOM, NO FLOOR



SECTION VIEW

**WEIGHTS:**

- COMPLETE PULLBOX WEIGHS APPX. 2,250 LBS.
- CAST IRON COVER ONLY WEIGHS APPX. 300 LBS.

**NOTES:**

- CONCRETE: 4000 P.S.I. MINIMUM
- REINFORCING: GRADE 60 MINIMUM
- WALLS TO BE 6" THICK
- SUITABLE FOR AASHTO HS-20-44 LOADINGS WHEN PLACED ON MATERIAL CAPABLE OF SUPPORTING THE LOADINGS

ACTUAL DIMENSIONS OF CONCRETE PRODUCTS MAY VARY SLIGHTLY

**vaughn**  
**concrete products, inc.**

DRAWING NOT TO SCALE

2-6X2-6 PULLBOX-NF.DWG  
 DATE CREATED: 12/08  
 UPDATE: -----

12650 Tucson Street • Henderson, Colorado 80640 • 303-659-3747, Fax 303-659-1333  
 2671 South Greeley Hwy • Cheyenne, Wyoming 82007 • 307-634-0695, Fax 307-634-0694  
 10021 Amarillo Blvd East • Amarillo, Texas 79108 • 806-374-3747, Fax 806-335-3717