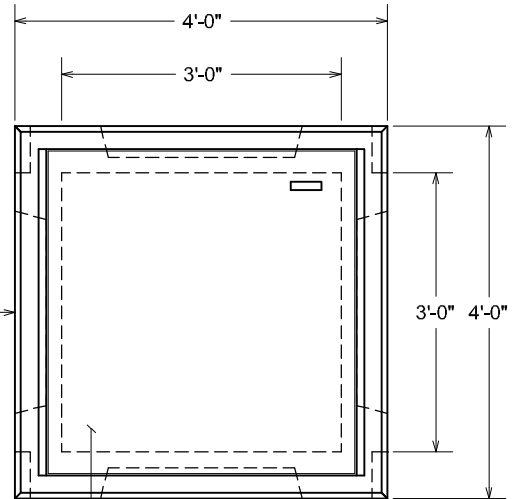
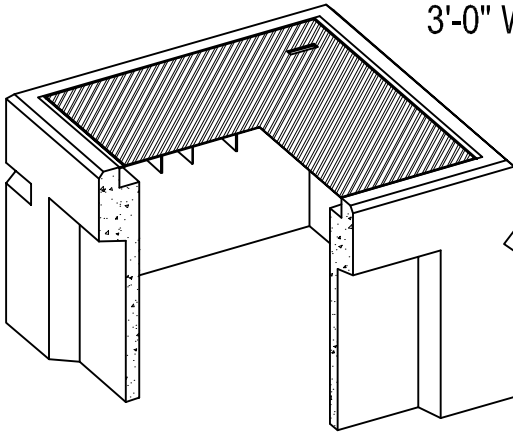


PRECAST CONCRETE SPLICE BOX

3'-0" WIDE X 3'-0" LONG X 3'-0" HIGH INSIDE DIMENSIONS
WITHOUT FLOOR
VCP ITEM #SB303030NF



PLAN VIEW

24"x24"x4" DEEP CONDUIT
KNOCKOUTS AT FLOOR LEVEL,
CENTERED IN WIDTH OF EACH
WALL, TYP. OF 4

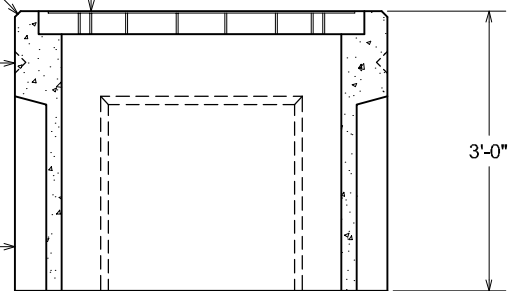
GALVANIZED STEEL FRAME WITH HINGED $\frac{1}{4}$ " STEEL
DIAMOND PLATE COVER WITH DROP HANDLE, SUITABLE
FOR OCCASIONAL H-20 LOADINGS
(NOT DESIGNED FOR HIGH DENSITY TRAFFIC)
SPRING ASSISTED COVER WITH STAND, COVER BOLTS
CLOSED WITH TWO $\frac{1}{2}$ " BOLTS

ENTIRE TOP PERIMETER
EDGE IS CHAMFERED

PROVIDED WITH LIFT NOTCHES
FOR HANDLING, TYP. OF 4

24"x24"x4" DEEP CONDUIT
KNOCKOUTS AT FLOOR LEVEL,
CENTERED IN WIDTH OF EACH
WALL, TYP. OF 4

OPEN BOTTOM, NO FLOOR



SECTION VIEW

NOTES:

- CONCRETE: 4000 P.S.I. MINIMUM
- REINFORCING: GRADE 60 MINIMUM
- WALLS TO BE 6" THICK
- SUITABLE FOR OCCASIONAL AASHTO HS-20-44 LOADINGS
WHEN PLACED ON MATERIAL CAPABLE OF SUPPORTING
THE LOADINGS

UNIT WEIGHS APPROXIMATELY 2,800 LBS.

ACTUAL DIMENSIONS OF CONCRETE PRODUCTS MAY VARY SLIGHTLY



DRAWING NOT TO SCALE

3X3X3 SPLICE BOX-NF.DWG
DATE CREATED: 11/ 04
UPDATED: 11/ 08

12650 Tucson Street • Henderson, Colorado 80640 • 303-659-3747, Fax 303-659-1333
2671 South Greeley Hwy • Cheyenne, Wyoming 82007 • 307-634-0695, Fax 307-634-0694
10021 Amarillo Blvd East • Amarillo, Texas 79108 • 806-374-3747, Fax 806-335-3717