

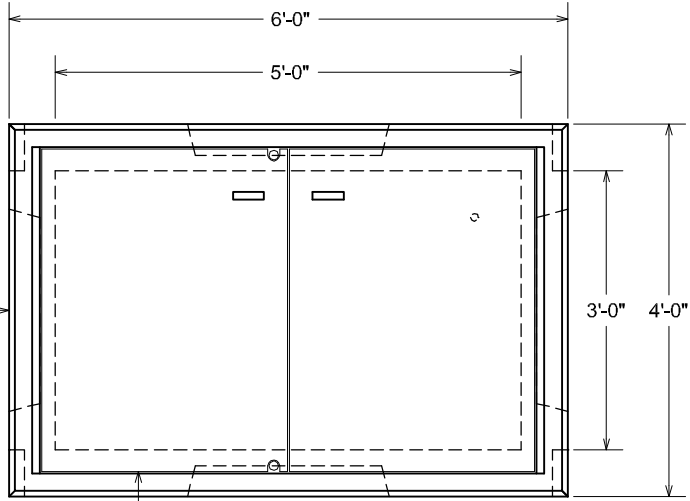
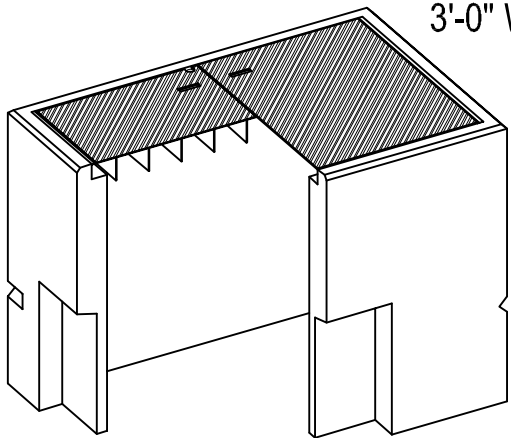
PRECAST CONCRETE

# SPLICE BOX

3'-0" WIDE X 5'-0" LONG X 3'-6" HIGH INSIDE DIMENSIONS

WITHOUT FLOOR

VCP ITEM #SB305035NF



24"x24"x4" DEEP CONDUIT KNOCKOUTS AT FLOOR LEVEL, CENTERED IN WIDTH OF EACH WALL, TYP. OF 4

GALVANIZED STEEL FRAME WITH HINGED 1/4" STEEL DIAMOND PLATE COVERS WITH DROP HANDLES SUITABLE FOR OCCASIONAL H-20 LOADINGS (NOT DESIGNED FOR HIGH DENSITY TRAFFIC) SPRING ASSISTED COVER WITH STAND, COVERS BOLT CLOSED WITH TWO 1/2" BOLTS

PLAN VIEW

ENTIRE TOP PERIMETER EDGE IS CHAMFERED

PROVIDED WITH LIFT NOTCHES FOR HANDLING, TYP. OF 4

SECTION VIEW

24"x24"x4" DEEP CONDUIT KNOCKOUTS AT FLOOR LEVEL, CENTERED IN WIDTH OF EACH WALL, TYP. OF 4

BOTTOM OF VAULT PROVIDED OPEN & FLAT

**NOTES:**

- CONCRETE: 4000 P.S.I. MINIMUM
- REINFORCING: GRADE 60 MINIMUM
- WALLS TO BE 6" THICK
- SUITABLE FOR OCCASIONAL AASHTO HS-20-44 LOADINGS WHEN PLACED ON MATERIAL CAPABLE OF SUPPORTING THE LOADINGS

UNIT WEIGHS APPROXIMATELY 4,200 LBS.

ACTUAL DIMENSIONS OF CONCRETE PRODUCTS MAY VARY SLIGHTLY

DRAWING NOT TO SCALE



3X5X5-6 SPLICE BOX.DWG  
DATE CREATED: 11/04  
UPDATED: 12/09

12650 Tucson Street • Henderson, Colorado 80640 • 303-659-3747, Fax 303-659-1333  
 2671 South Greeley Hwy • Cheyenne, Wyoming 82007 • 307-634-0695, Fax 307-634-0694  
 10021 Amarillo Blvd East • Amarillo, Texas 79108 • 806-374-3747, Fax 806-335-3717  
[www.vaughnconcreteproducts.com](http://www.vaughnconcreteproducts.com)