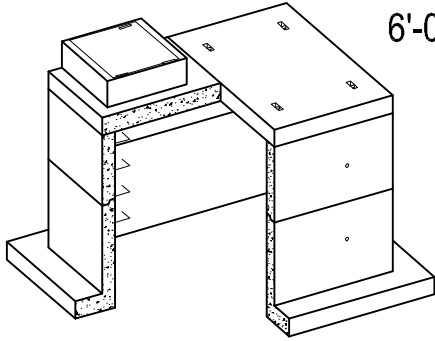


PRECAST CONCRETE

# WATER METER VAULT

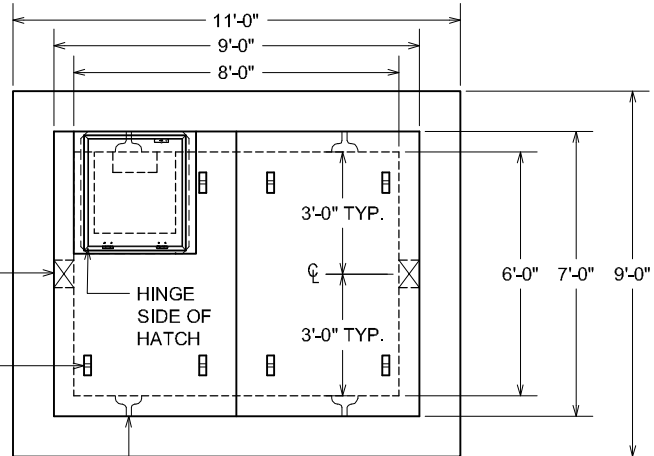
6'-0" WIDE X 8'-0" LONG X 6'-8" HIGH INSIDE DIMENSIONS  
 VCP ITEM #608066 WMV WITH FOOTING  
 WITH TRAFFIC RATED HATCH



8" DIAMETER PIPING BLOCKOUTS 10" OFF THE TOP OF THE FOOTING TO THE BOTTOM OF THE BLOCKOUTS, OPTIONAL: PRESS-IN GASKET FOR 2", 3" OR 4" PIPE CAN BE INSTALLED

LID SECTIONS LIFT WITH SINK-ITS

VAULT SECTIONS LIFT WITH (4) 1 1/2" COIL BOLTS



PLAN VIEW

24"W X 24"L I.D. X 12" TALL PRECAST CONCRETE COLLAR WITH AHS 24"X24" ALUMINUM TRAFFIC RATED HATCH CAST IN

CONSEAL JOINT SEALANT

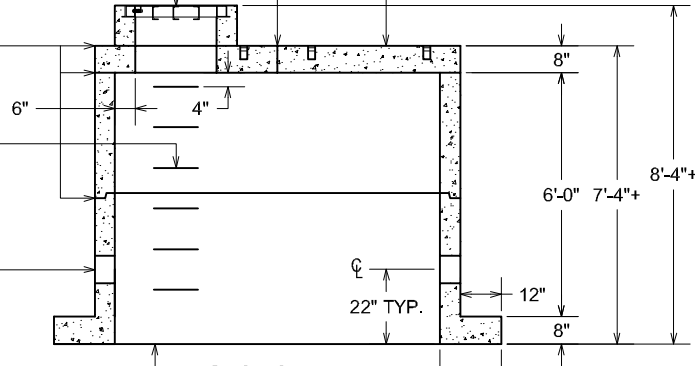
OUR STANDARD RUBBER ENCASED STEEL STEPS @ 12" O.C.

8" DIAMETER PIPING BLOCKOUTS 10" OFF THE TOP OF THE FOOTING TO THE BOTTOM OF THE BLOCKOUTS, OPTIONAL: PRESS-IN GASKET FOR 2", 3" OR 4" PIPE CAN BE INSTALLED

BOTTOM OF VAULT PROVIDED OPEN, WITHOUT FLOOR

TOP OF JOINT PROVIDED WITH 6" WIDE X 10' LONG PIECE OF CS-212 CONWRAP FOR CONTRACTOR TO INSTALL AFTER LID SECTIONS ARE SET IN PLACE

TWO-SECTION LID PROVIDED WITH SINK-ITS FOR LIFTING



SECTION VIEW

18" PRECAST FOOTING AROUND BOTTOM OF VAULT PERIMETER

**NOTES:**

- CONCRETE: 5000 P.S.I. MINIMUM
- REINFORCING: GRADE 60 MINIMUM
- SUITABLE FOR AASHTO HS-20-44 LOADINGS

**WEIGHTS:**

- HEAVIEST PIECE WEIGHS APPX. 12,000 LBS.

ACTUAL DIMENSIONS OF CONCRETE PRODUCTS MAY VARY SLIGHTLY



DRAWING NOT TO SCALE

WATER METER VAULT, 6X8 HATCH, 2MG  
 DATE CREATED: 12/07  
 UPDATED: -----

12650 Tucson Street • Henderson, Colorado 80640 • 303-659-3747, Fax 303-659-1333  
 2671 South Greeley Hwy • Cheyenne, Wyoming 82007 • 307-634-0695, Fax 307-634-0694  
 10021 Amarillo Blvd East • Amarillo, Texas 79108 • 806-374-3747, Fax 806-335-3717