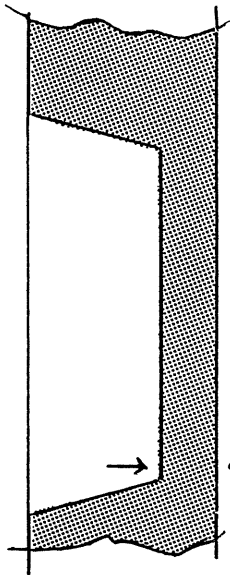


Precast Concrete VAULT OPTIONS

Piping Penetration Options

Windows or Knockouts:

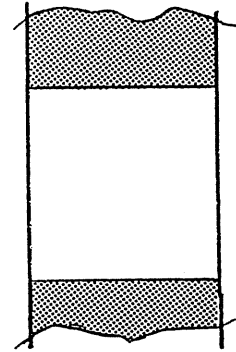
Recessed portion
in wall without
reinforcing to
allow field
placement of
piping.
Depth is usually wall
thickness minus
2 inches



Thickness is usually 2"

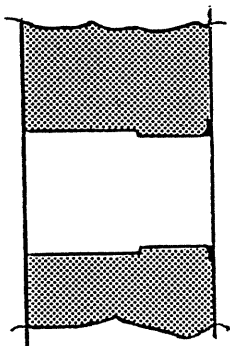
Blockouts:

Opening placed
in wall section



Belled ends or wall sleeves cast in:

Length of sleeve
to be same as
wall thickness



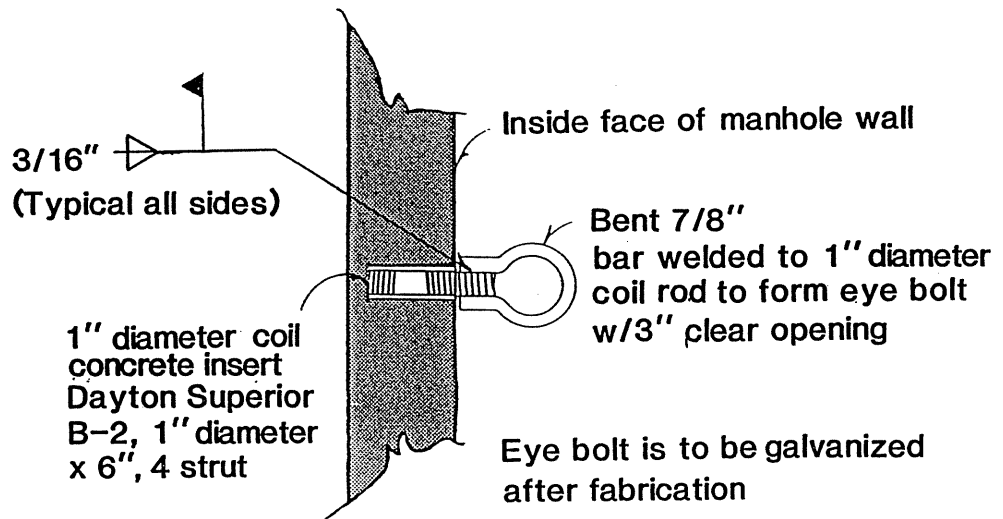
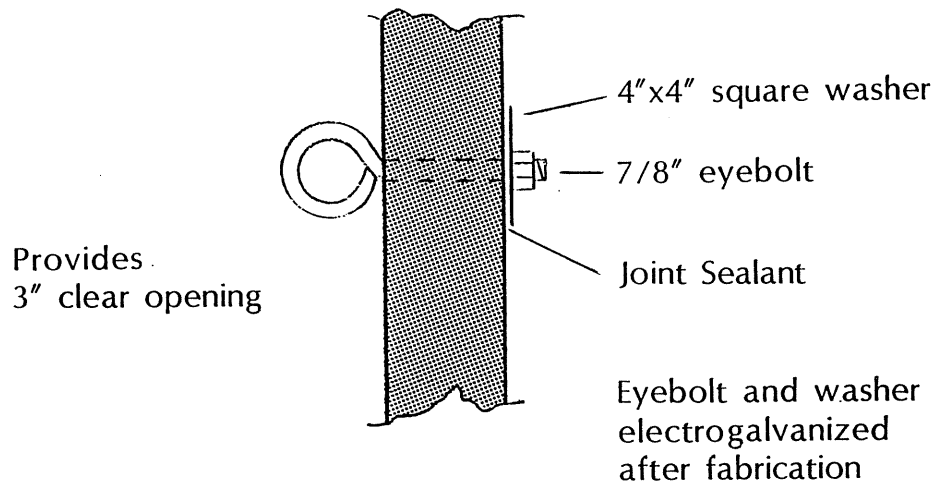
vaughn
concrete products, inc.

12650 Tucson Street • Henderson, Colorado 80640 • 303-659-3747, Fax 303-659-1333
2671 So. Greeley Hwy • Cheyenne, Wyoming 82007 • 307-634-0695, Fax 307-634-0694
10021 Amarillo Blvd. East • Amarillo, Texas 79107 • 806-374-3747, Fax 806-335-3717

Precast Concrete

VAULT OPTIONS

Pulling Irons



vaughn
concrete products, inc.

12650 Tucson Street • Henderson, Colorado 80640 • 303-659-3747, Fax 303-659-1333
2671 So. Greeley Hwy • Cheyenne, Wyoming 82007 • 307-634-0695, Fax 307-634-0694
10021 Amarillo Blvd. East • Amarillo, Texas 79107 • 806-374-3747, Fax 806-335-3717

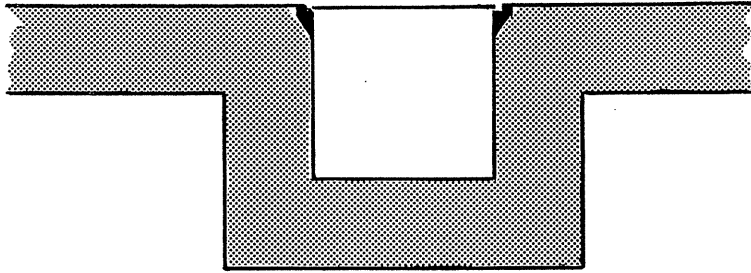
Precast Concrete

VAULT OPTIONS

Sump

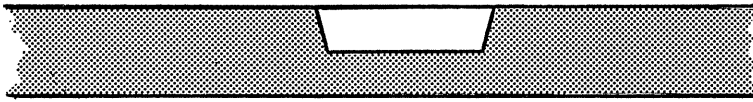
12" x 12" x 12"

With or without
cast iron frame
and grate
can be provided
separately or
monolithically cast



Sump Recessed In Floor

Recess in floor,
depth to be
floor thickness
minus 2"



Drain Sump

Blockout placed
in floor to allow
water to escape



Plastic Insert Sump

Provides recess
with a plastic
cover

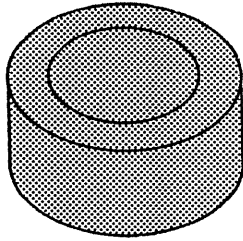


vaughn
concrete products, inc.

12650 Tucson Street • Henderson, Colorado 80640 • 303-659-3747, Fax 303-659-1333
2671 So. Greeley Hwy • Cheyenne, Wyoming 82007 • 307-634-0695, Fax 307-634-0694
10021 Amarillo Blvd. East • Amarillo, Texas 79107 • 806-374-3747, Fax 806-335-3717

VAULT OPTIONS

See Manhole Accessories in this section for additional information



Manhole Riser

Standard inside dimensions:
24", 30", 34", 36", 42", 48"

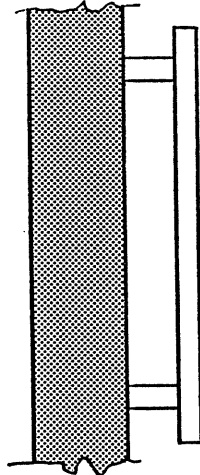
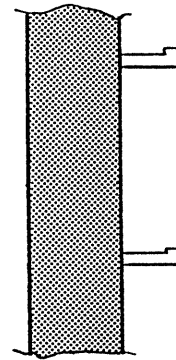
Sections can be stacked
to achieve overall height
desired

Rubber Encased Steel Steps

Most economical means
for providing manhole access

May be placed on
12" or 16" centers

Will not conduct electricity



Steel Ladders

Utilizes: 1/2" x 2" sidebars
7/8" diameter rung
16" step width

Anchorage: drop in inserts placed in concrete
Mounting brackets placed every 6 feet
Electrogalvanized after fabrication

Vaughn
concrete products, inc.

12650 Tucson Street • Henderson, Colorado 80640 • 303-659-3747, Fax 303-659-1333
2671 So. Greeley Hwy • Cheyenne, Wyoming 82007 • 307-634-0695, Fax 307-634-0694
10021 Amarillo Blvd. East • Amarillo, Texas 79107 • 806-374-3747, Fax 806-335-3717