

PRECAST CONCRETE GREASE INTERCEPTOR

1000 GALLON CAPACITY
WITH LID FOR TRAFFIC
STANDARD FOR LUBBOCK & ODESSA, TX

IT IS THE EXCAVATOR'S OR
INSTALLER'S RESPONSIBILITY
TO REQUEST OUR
INSTALLATION GUIDELINES
PRIOR TO INSTALLING THIS
TANK

MONOLITHIC BODY NO SEAMS OR JOINTS

3" THICK FLOOR
4" THICK WALLS
8" THICK LID FOR TRAFFIC

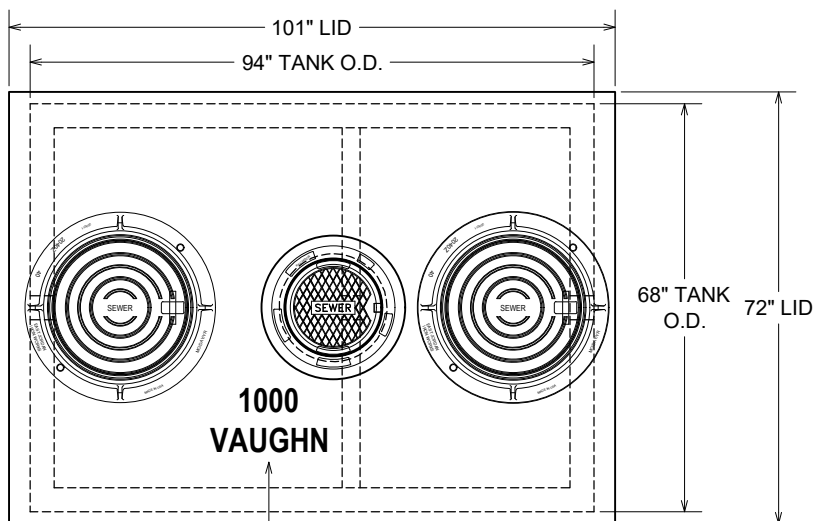
2 COMPARTMENT TANK WITH
APPROXIMATELY 60% OF CAPACITY ON
INLET SIDE

TANK IS PROVIDED WITH NOTCHES IN
SIDEWALLS FOR SLIP-IN DIVIDER WALL

WITHSTANDS UP TO 6' OF BURY, RISERS
ARE AVAILABLE FOR INLET & OUTLET

OPTIONS:

- 24" ID MANHOLE RISERS AVAILABLE IN 2", 3", 4", 6", 8" OR 12" HEIGHTS
- 18" ID CENTER ACCESS RISERS:
10 $\frac{5}{8}$ " TALL FOR USE w/6" TALL MH RISER
16 $\frac{5}{8}$ " TALL FOR USE w/12" TALL MH RISER
4' TALL RCP SECTION FOR CONTRACTOR TO CUT TO SPECIFIC HEIGHTS
- GAS TIGHT CAST IRON RINGS & COVERS



PLAN VIEW

DURING PRODUCTION, "TANK SIZE" & "VAUGHN" ARE STAMPED IN LID, "IN" & "OUT" ARE MARKED ON TANK ENDS

- 18" DIAMETER CAST IRON RING & COVER
- OUR STANDARD 24" DIAMETER CAST IRON RINGS & COVERS, TYP. OF 2
- CONSEAL JOINT SEALANT, OR CONTRACTOR TO GROUT
- PIPING BLOCKOUTS WITH POLYLOK PIPE SEALS CAST IN TANK FOR INLET & OUTLET PIPING (TYPICAL)
- CONTRACTOR'S 4" PIPES
CONTRACTOR SUPPLIED
4" SDR35 INLET & OUTLET TEES

APPROVED BY: _____

DATE: _____

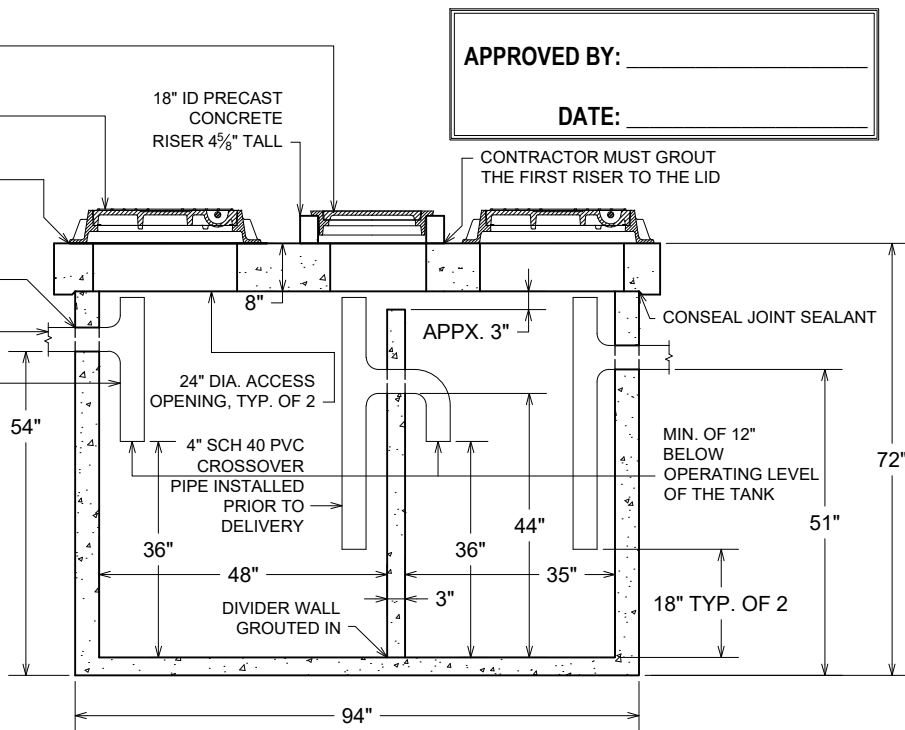
CONTRACTOR MUST GROUT THE FIRST RISER TO THE LID

TANK WEIGHTS:

- TANK LID : 5,400 LBS.
- TANK WITH DIVIDER ONLY : 8,000 LBS.
- COMPLETE INTERCEPTOR : 13,400 LBS.

DIGGING SPECIFICATIONS:

- 54" BELOW THE INLET
- EXCAVATION: 7'-0" WIDE X 10'-0" LONG
- SEE OUR **INSTALLATION GUIDELINES** PRIOR TO INSTALLING THIS TANK



SECTION VIEW

CONCRETE : 4,000 P.S.I. (MINIMUM)
REINFORCING : REBAR & WELDED WIRE FABRIC

ACTUAL DIMENSIONS OF CONCRETE PRODUCTS MAY VARY SLIGHTLY

DRAWING IS NOT TO SCALE

vaughn concrete products, inc.

1000 GAL GI, TRAFFIC-LUBBOCK.DWG
DATE CREATED: 11 / 04
UPDATED: 8 / 2021