

PRECAST CONCRETE  
**SEPTIC TANK**  
 1000 GALLON CAPACITY  
 NON-TRAFFIC LOADINGS  
 MANUFACTURED TO ASTM C1227

**MONOLITHIC BODY**  
**NO SEAMS OR JOINTS**

3" THICK FLOOR & WALLS, 4" THICK LID

2 COMPARTMENT TANK WITH APPROXIMATELY 60% OF CAPACITY ON INLET SIDE

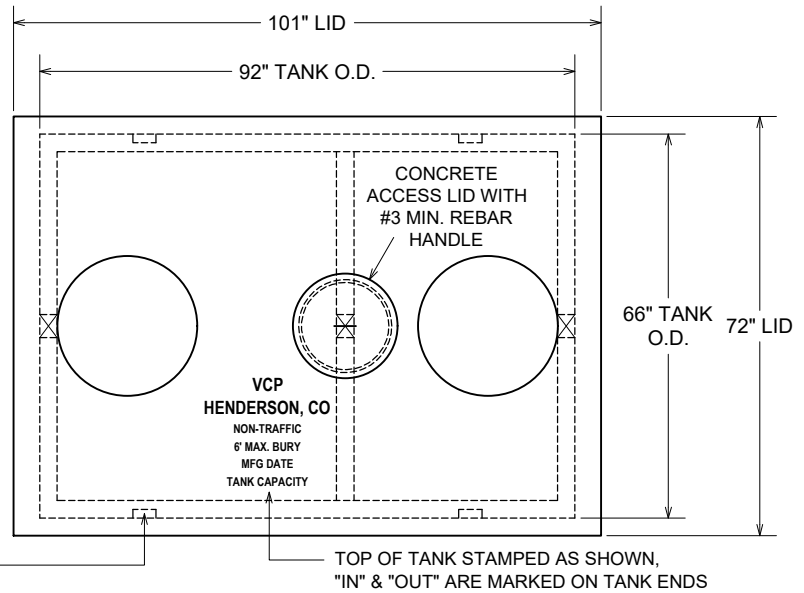
TANK IS PROVIDED WITH NOTCHES IN SIDEWALLS FOR SLIP-IN DIVIDER WALL

WITHSTANDS UP TO 6' OF BURY, RISERS ARE AVAILABLE FOR INLET & OUTLET

**OPTIONS:**

- CONCRETE ADAPTER FOR 20" ID HDPE RISER
- RISER ADAPTER FOR 24" ID HDPE RISER

PIPING KNOCKOUTS 18" FROM END OF TANK TO CENTER OF KNOCKOUT TO ALLOW FOR CONCRETE TO BE BROKEN OUT TO ALLOW FOR SIDE INLET OR OUTLET PIPE AT SAME HEIGHT AS STANDARD INLET & OUTLET, TYP. OF 4



**PLAN VIEW**

16" DIAMETER ACCESS OPENING IN LID WITH OUR STANDARD 18" DIAMETER CONCRETE ACCESS LID

24" DIAMETER ACCESS OPENINGS OVER INLET & OUTLET ENDS OF TANK

PIPING BLOCKOUTS WITH POLYLOK PIPE SEALS CAST IN TANK FOR INLET & OUTLET PIPING (TYPICAL)

CONTRACTOR'S 4" PIPES

**CONTRACTOR SUPPLIED**  
 4" SDR35 INLET & OUTLET TEES

**DIGGING SPECIFICATIONS:**

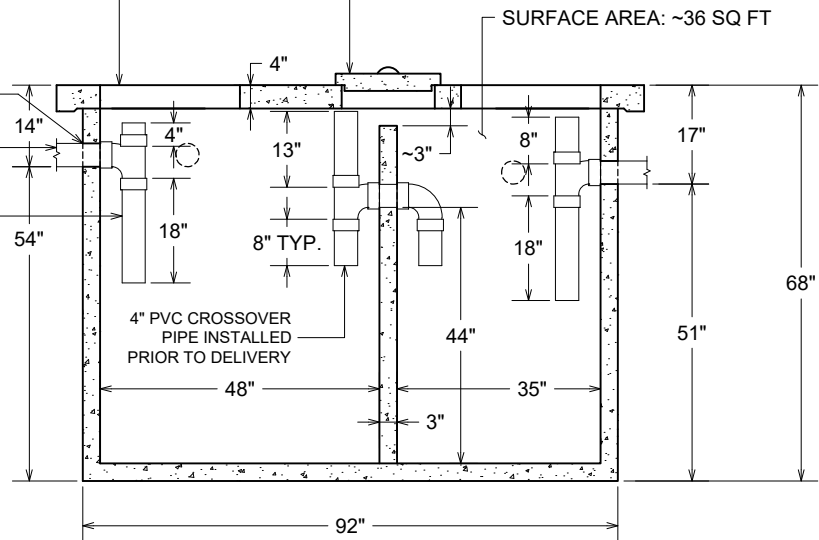
- 54" BELOW THE INLET
- EXCAVATION TO BE 7' WIDE X 10' LONG

**TANK WEIGHTS:**

- TANK WITH DIVIDER ONLY : 6,600 LBS.
- TANK LID : 2,800 LBS.
- COMPLETE TANK : 9,400 LBS.

CONCRETE : 4,000 P.S.I. (MINIMUM)  
 REINFORCING : REBAR & WELDED WIRE FABRIC

ACTUAL DIMENSIONS OF CONCRETE PRODUCTS MAY VARY SLIGHTLY



**SECTION VIEW**

DRAWING IS NOT TO SCALE

**Vaughn**  
**concrete products, inc.**

1000 GAL. MONO-SEPTIC TANK, NON-TRAFFIC.DWG  
 DATE CREATED: 10/15  
 UPDATED: 8/2021

12650 Tucson Street • Henderson, Colorado 80640 • 303-659-3747, Fax 303-659-1333

[www.vaughnconcreteproducts.com](http://www.vaughnconcreteproducts.com)