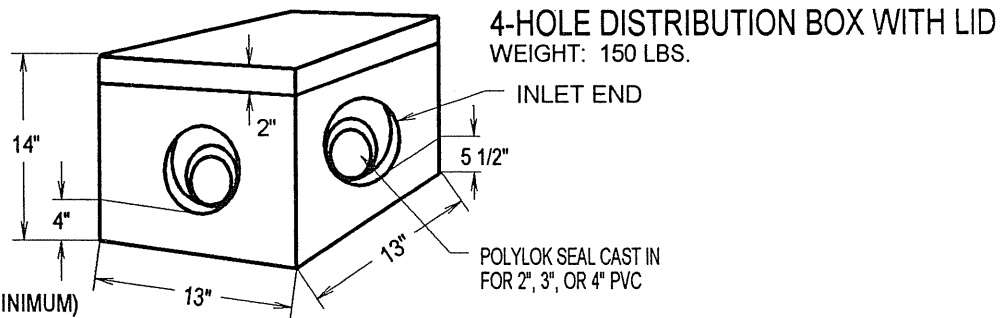
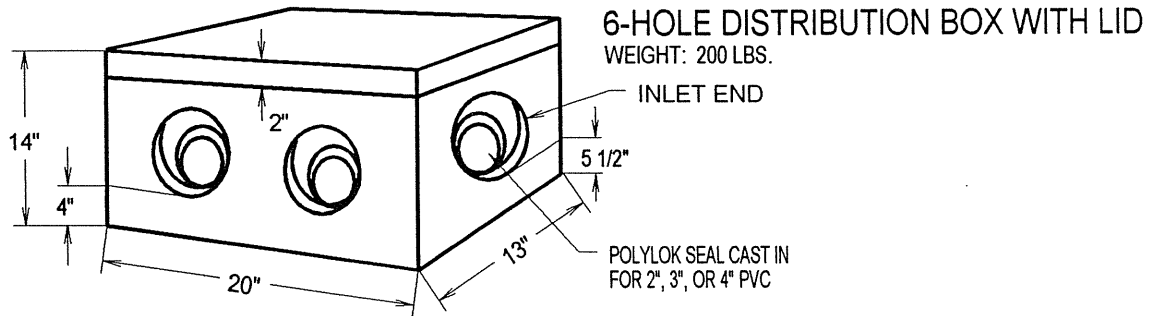
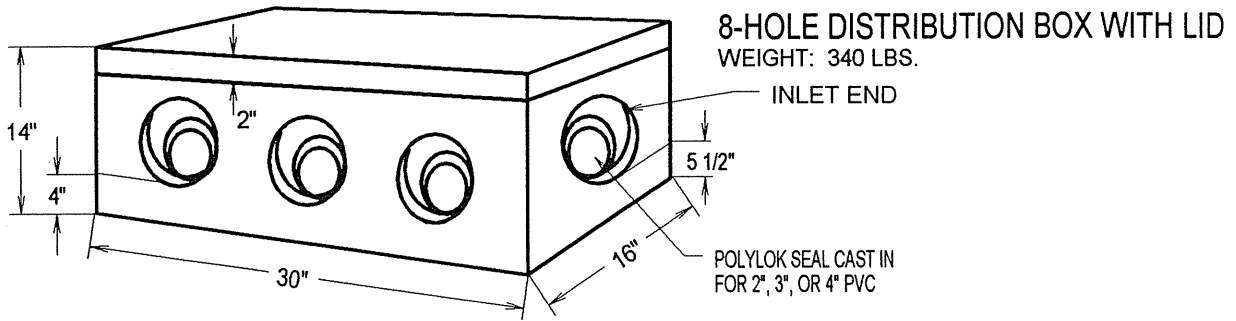
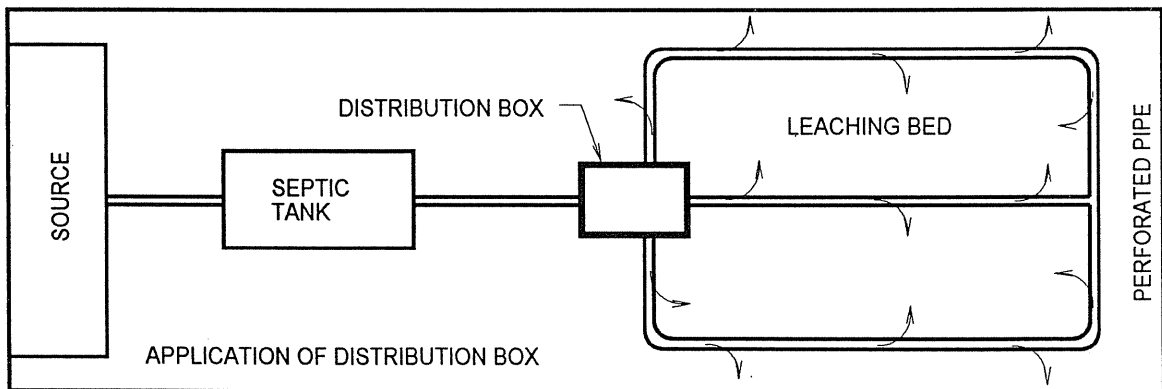


PRECAST CONCRETE DISTRIBUTION BOXES WITH RECESSED POLYLOK GASKETS



CONCRETE - 4,000 P.S.I. (MINIMUM)
WIRE MESH REINFORCING



ACTUAL DIMENSION OF CONCRETE PRODUCTS MAY VARY SLIGHTLY
DRAWING IS NOT TO SCALE

vaughn
concrete products, inc.

11/97

12650 Tucson Street • Henderson, Colorado 80640 • 303-659-3747, Fax 303-659-1333
2671 So. Greeley Hwy • Cheyenne, Wyoming 82007 • 307-634-0695, Fax 307-634-0694
10021 Amarillo Blvd. East • Amarillo, Texas 79107 • 806-374-3747, Fax 806-335-3717