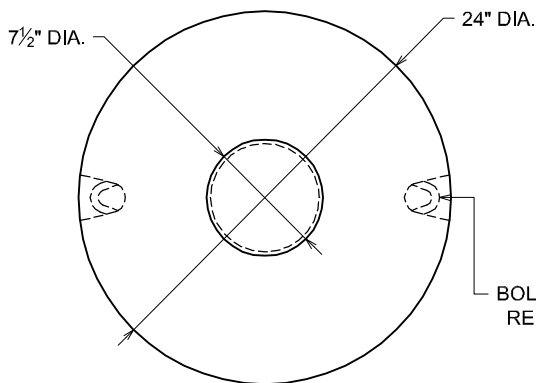


PRECAST CONCRETE

# BOLLARD WITH PRECAST BASE

7½" DIAMETER X 7'-4" LONG

- **NO SECONDARY POUR REQUIRED!!!**
- **GREAT FOR PROTECTING STORE FRONTS, GAS PUMPS, FENCING, GATES, SCHOOLS, TRANSFORMERS, SWITCH GEAR & UTILITIES OF ALL TYPES**
- **ROTO MOLDED POLYETHYLENE EXTERIOR SHELL FILLED WITH REINFORCED CONCRETE**
- **YELLOW BOLLARDS ARE IN STOCK & READY FOR PICK-UP**
- **RED, BLUE, GRANITE LIGHT GRAY OR GRANITE DARK GRAY BOLLARDS ARE AVAILABLE AS SPECIAL ORDER ITEMS (MIN. ORDER OF 20 REQUIRED)**
- **CONTRACTOR FRIENDLY**
- **EASY INSTALLATION**
- **IMPACT RESISTANT**
- **UV RESISTANT**

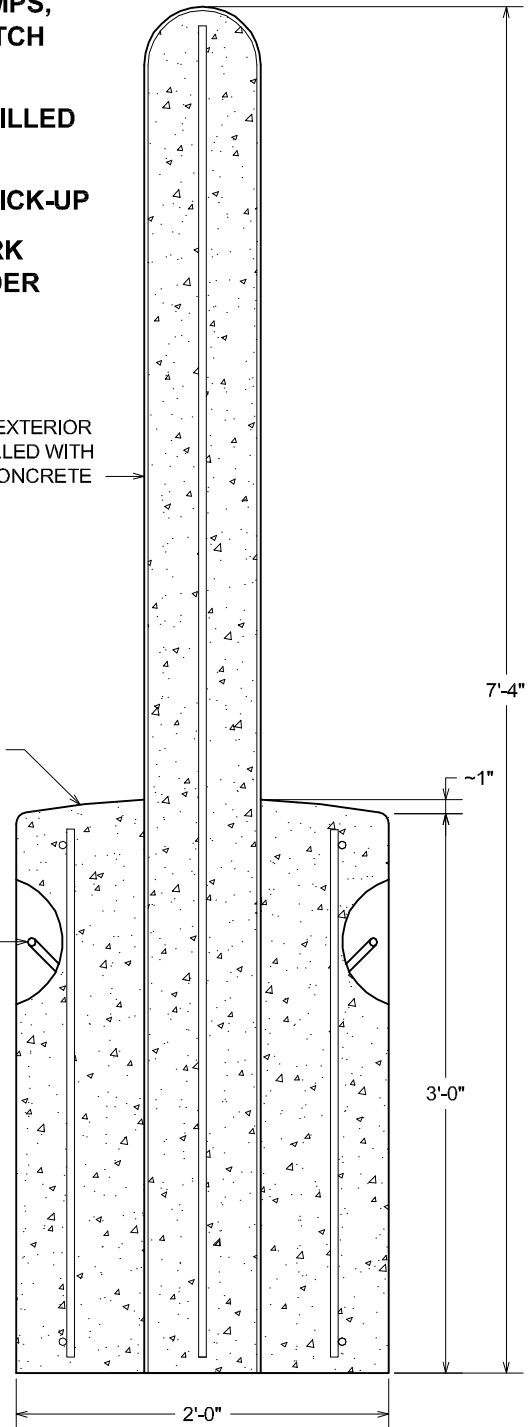


**PLAN VIEW**

POLYETHYLENE EXTERIOR SHELL FILLED WITH REINFORCED CONCRETE

REINFORCED PRECAST CONCRETE BASE

BOLLARD LIFTS WITH 2 RECESSED LIFT BARS



**SECTION VIEW**

DRAWING NOT TO SCALE

**WEIGHT:**

- BOLLARD WEIGHS APPX. 1,700 LBS.

**NOTES:**

- CONCRETE: 4000 P.S.I. MINIMUM

- REINFORCING:

- 7½" BOLLARD: (1) #4 VERTICAL REBAR

- 24" BASE: (2) #4 STIRRUPS, (4) #4 VERTICAL REBARS

ACTUAL DIMENSIONS OF CONCRETE PRODUCTS MAY VARY SLIGHTLY

**vaughn**  
**concrete products, inc.**

BOLLARD WITH BASE.DWG  
DATE CREATED: 12/ 09  
UPDATED: .....

12650 Tucson Street • Henderson, Colorado 80640 • 303-659-3747, Fax 303-659-1333  
2671 South Greeley Hwy • Cheyenne, Wyoming 82007 • 307-634-0695, Fax 307-634-0694  
10021 Amarillo Blvd East • Amarillo, Texas 79108 • 806-374-3747, Fax 806-335-3717

[www.vaughnconcreteproducts.com](http://www.vaughnconcreteproducts.com)