

FRAME SECTION

**EAST JORDAN
IRON WORKS, INC.**
P.O. BOX 439
EAST JORDAN, MI. 49727
1-800-874-4100
FAX 231-536-4458

DRAWN DEW	DATE 07/29/99
--------------	------------------

APPROVED	DATE
----------	------

**CATCH BASIN
V-5726-1 FRAME**

PRODUCT NO.
45726110
UNDIPPED

CATALOG NO.
V-5726-1

REF. PRODUCT DRAWING
45726110

EST. WT.
FRAME: 80 LBS 36kg

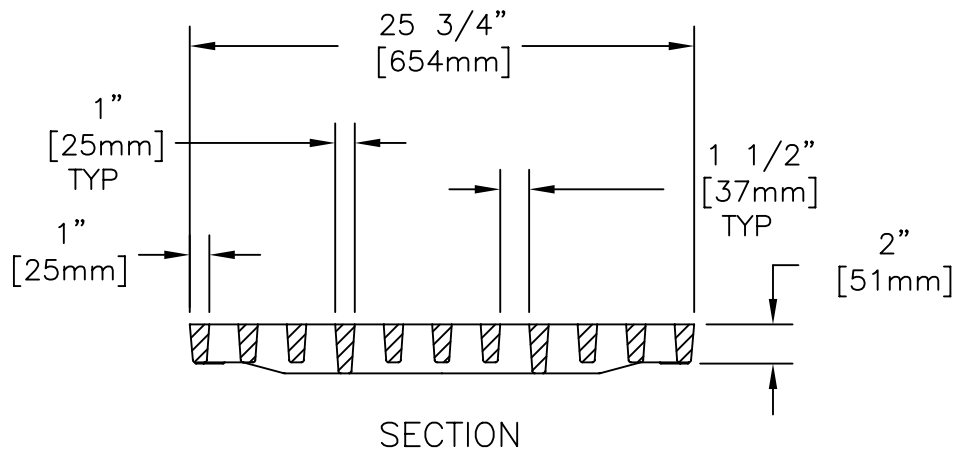
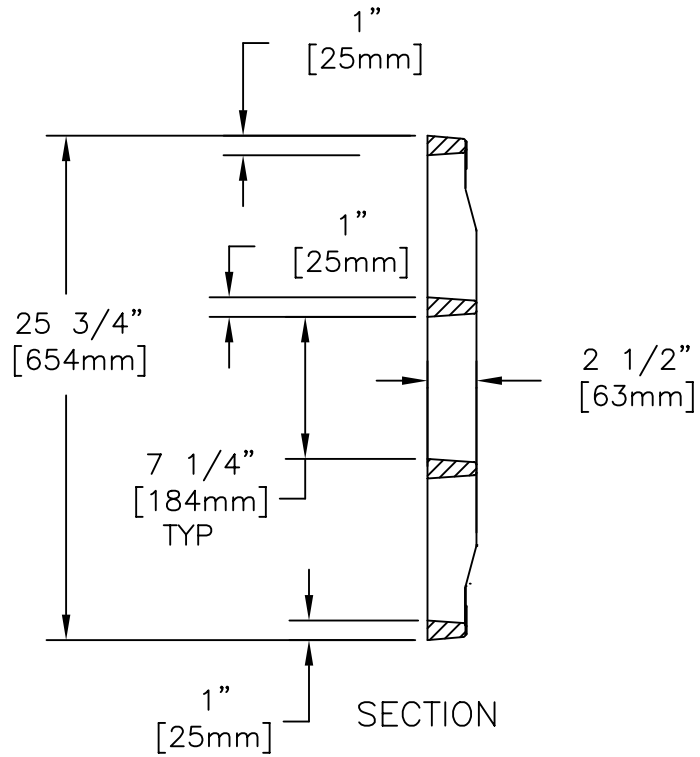
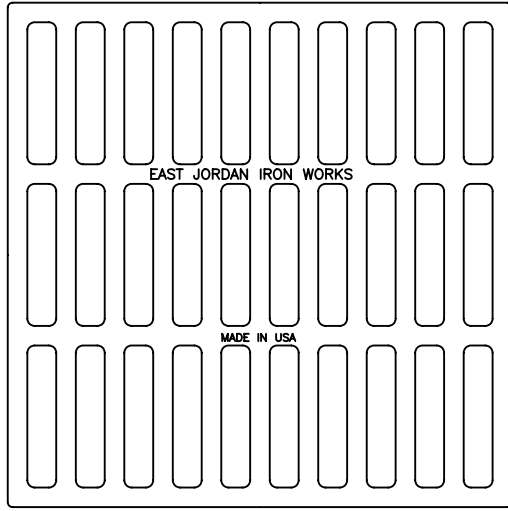
OPEN AREA
N/A

MAT'L SPEC.

FRAME - GRAY IRON
ASTM A48 CL35

LOAD RATING

HEAVY DUTY



EAST JORDAN
IRON WORKS, INC.
P.O. BOX 439
EAST JORDAN, MI. 49727
1-800-874-4100
FAX 231-536-4458

DRAWN SBB	DATE 05/20/00
--------------	------------------

APPROVED	DATE
----------	------

CATCH BASIN V-5726 GRATE

PRODUCT NO.
45726030

CATALOG NO.
V-5726

REF. PRODUCT DRAWING
45726030

EST. WT.
GRATE: 172 LBS 78kg

OPEN AREA
321 SQ. INCHES
2071 SQ. CM

MAT'L SPEC.
GRATE - GRAY IRON
ASTM A48 CL35

LOAD RATING
HEAVY DUTY