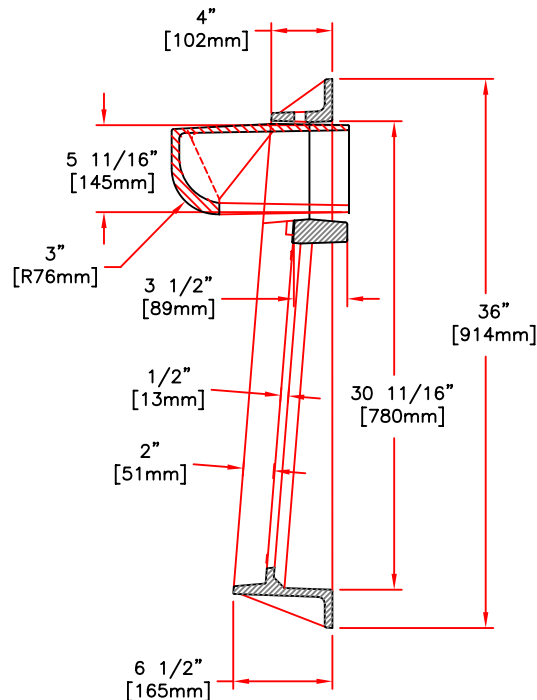
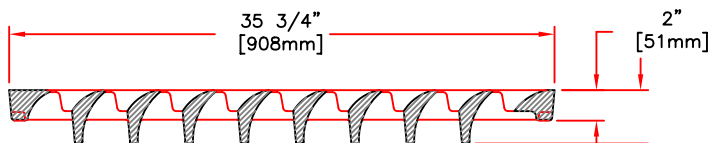


GRATE SECTION



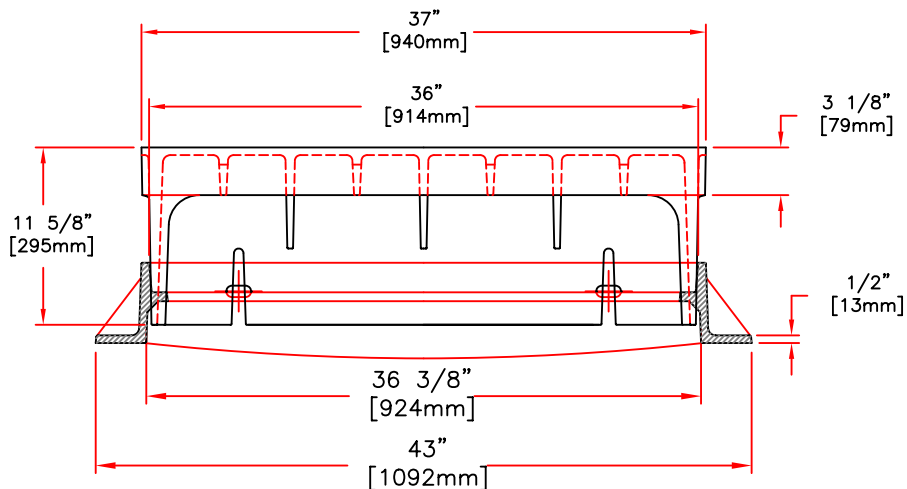
FRAME SECTION



GRATE SECTION

3 1/2" [89mm]

CURB ADJUSTMENT  
3 1/4" TO 9"  
(83mm TO 229mm)



FRAME SECTION

BILL OF MATERIAL:  
00703074  
00751013  
00751045  
00981234  
00981290  
00981291

NOTE: SEE SPECIAL PALLETIZING WORK  
INSTRUCTION BEFORE SHIPPING.

USED ON TYPE A INLETS & DOUBLE TYPE A INLETS

VCP DESIGNATION: EJIW 7510 FRAME, GRATE & CURB HOOD

**EAST JORDAN  
IRON WORKS, INC.**

P.O. BOX 439  
EAST JORDAN, MI. 49727  
1-800-874-4100  
FAX: 231-536-4458

DRAWN  
DAL

DATE  
05/10/05

APPROVED

DATE

**CATCH BASIN  
FRAME**

PRODUCT NO.

**00751002**

CATALOG NO.

7510 Z1  
7510 M3  
7030T6

PRODUCT NO.

00751013  
00751045  
00703074

EST. WT.

FRAME: 219 LBS 100kg  
GRATE: 211 LBS 96kg  
BACK: 105 LBS 48kg  
UNIT: 535 LBS 243kg

OPEN AREA

446 SQ IN  
2876 SQ CM

MAT'L SPEC.

FRAME - GRAY IRON  
ASTM A48 CL35B  
GRATE - GRAY IRON  
ASTM A48 CL35B  
BACK - GRAY IRON  
ASTM A48 CL35B

LOAD RATING

**HEAVY DUTY**