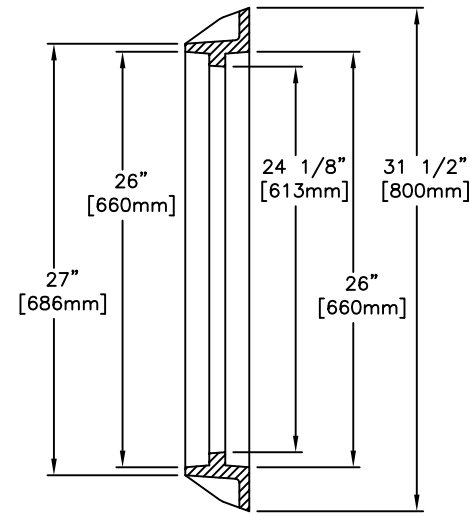
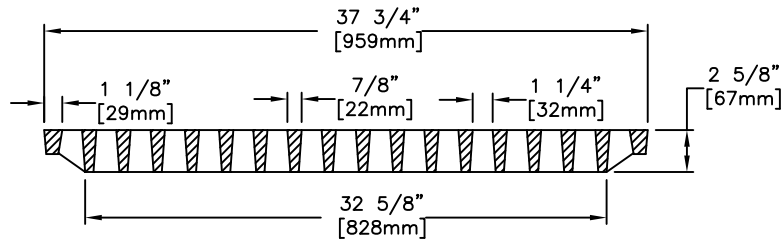


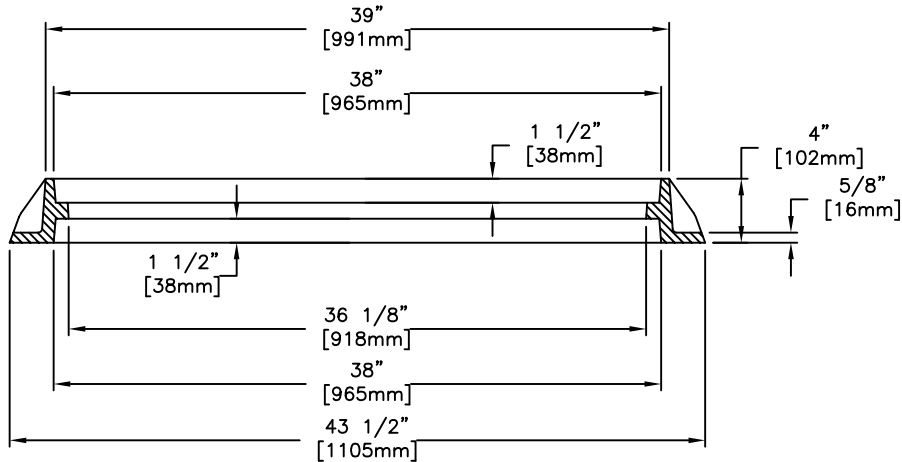
GRATE SECTION



FRAME SECTION



GRATE SECTION



FRAME SECTION

EJIW EAST JORDAN
IRON WORKS EST.1883

800-626-4653
www.ejiw.com
MADE IN USA

PRODUCT NUMBER

45665003

CATALOG NUMBER

V5665

CATCH
BASIN ASSEMBLY

LOAD RATING

HEAVY DUTY

COATING

UNDIPPED

MATERIAL SPECIFICATION

GRATE - GRAY IRON
ASTM A48 CL35B
FRAME - GRAY IRON
ASTM A48 CL35B

OPEN AREA
463 SQ. INCHES

√ DESIGNATES MACHINED
SURFACE

DRAWN
JIJ

DATE
04/04/06

LAST REVISED
DEW

DATE
08/08/06

REFERENCE INFORMATION

45665010
45665030