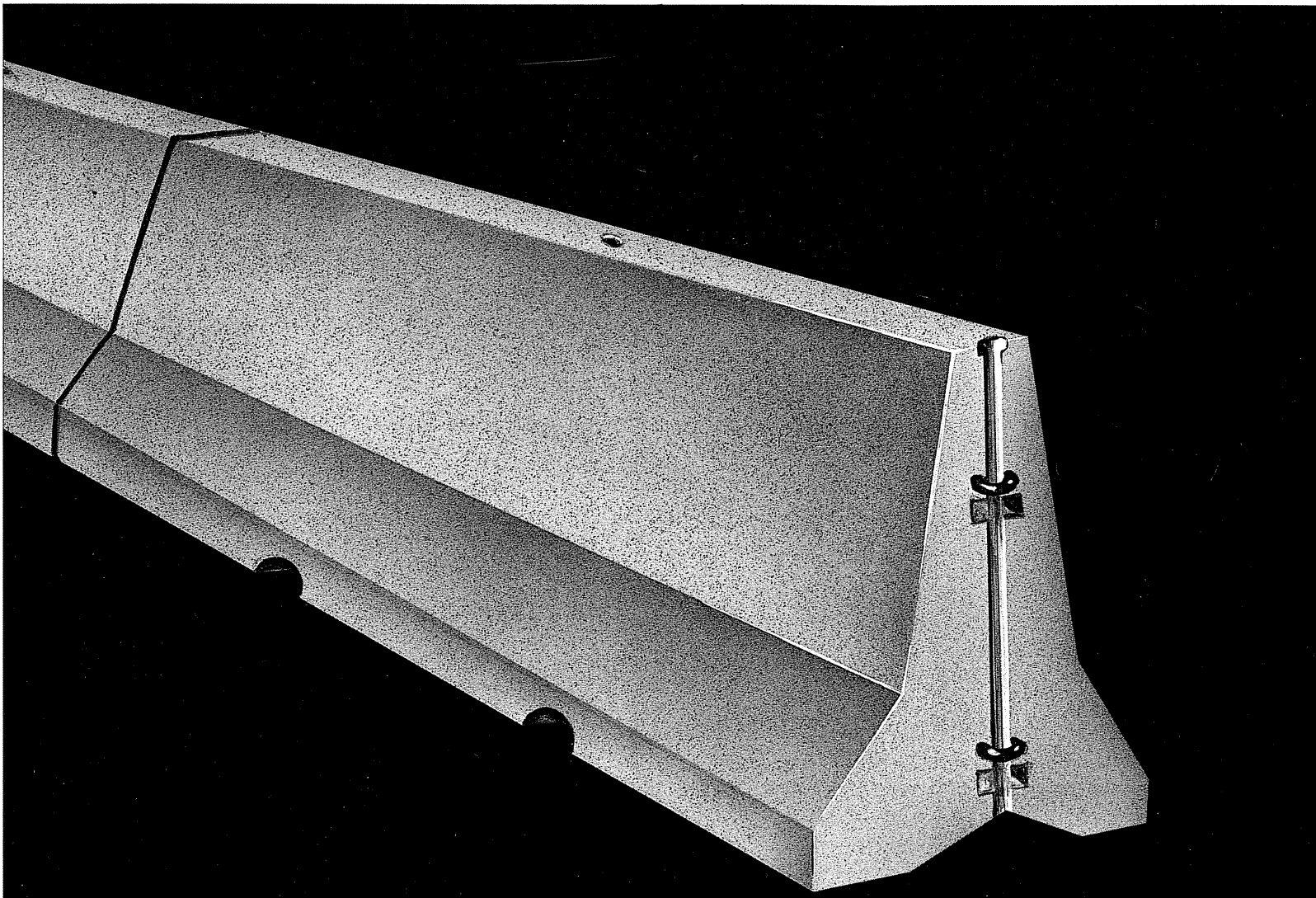
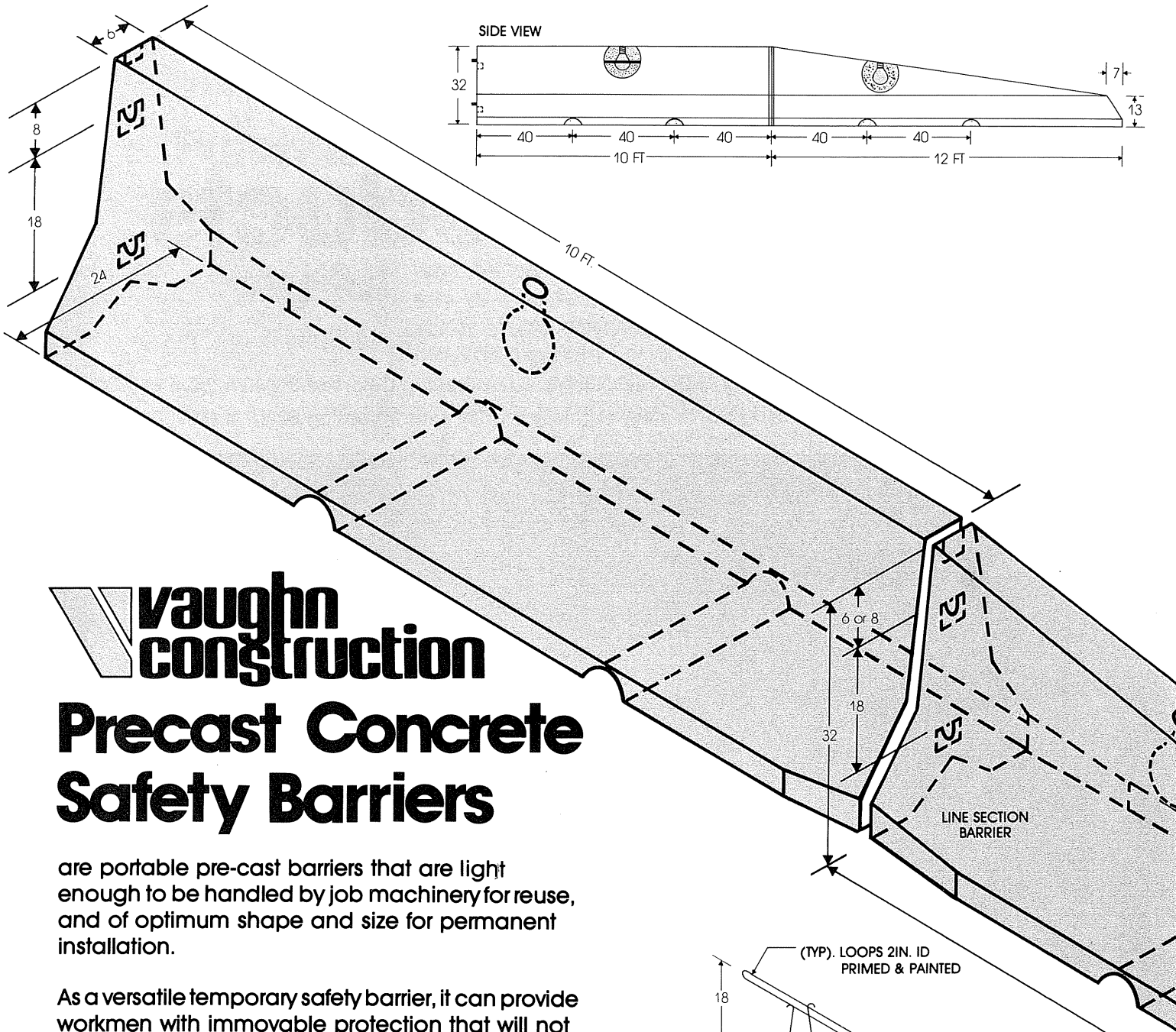


# **vaughn concrete products**

12650 Tucson Street • Henderson, Colorado 80640 • (303) 659-3747  
2671 So. Greeley Highway • Cheyenne, Wyoming 82007 • (307) 634-0695



## **Precast Concrete Safety Barrier**



**vaughn construction**

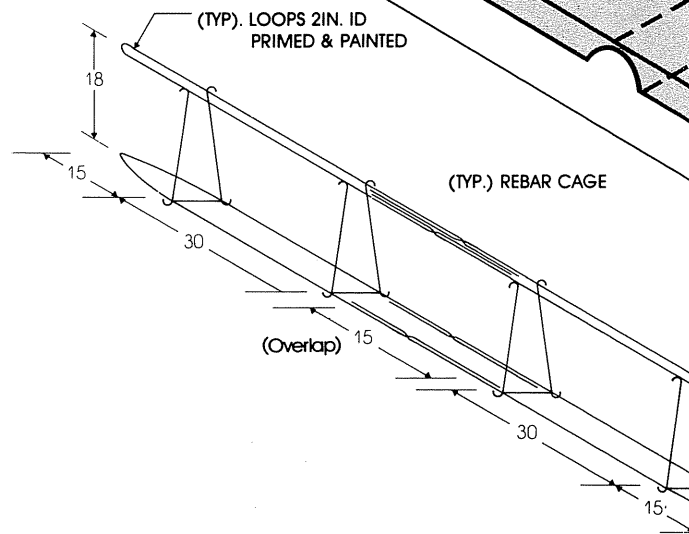
# Precast Concrete Safety Barriers

are portable pre-cast barriers that are light enough to be handled by job machinery for reuse, and of optimum shape and size for permanent installation.

As a versatile temporary safety barrier, it can provide workmen with immovable protection that will not shatter or splinter on impact and will deflect almost anything that may strike it.

As a permanent traffic barrier, it has proven safe and efficient for use on the highways because the tapered face of the concrete barriers not only prevents vehicles from crossing the median, but diverts and guides them back onto the highway with minimal or no damage to either the barrier or vehicle. With VAUGHN'S superior design and quality control you can be sure of purchasing or renting the finest and most durable barrier in the market.

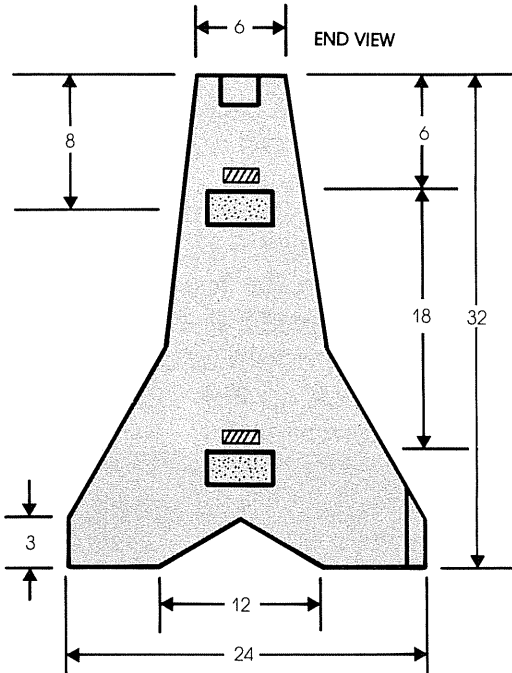
We maintain a stock of safety barriers to fulfill your immediate and/or future needs.



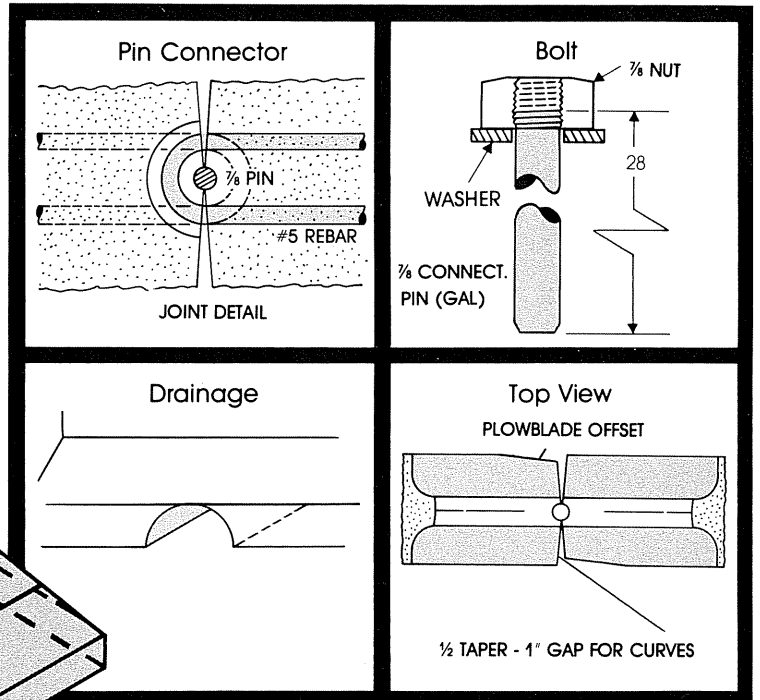
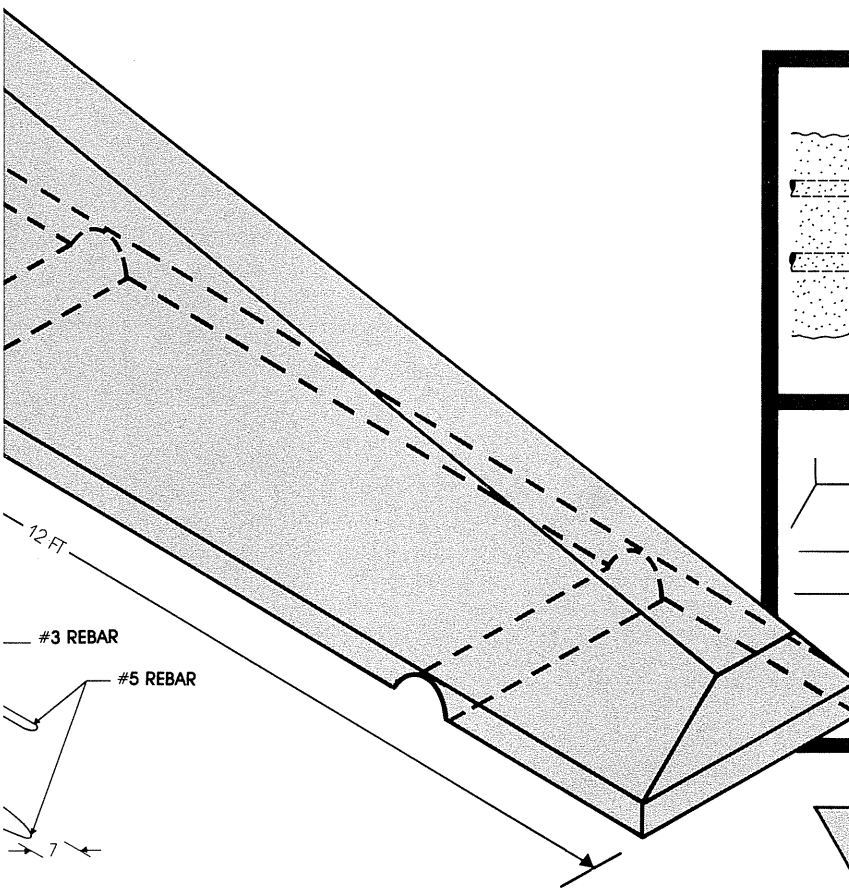
Call or write us for an estimate . . . .

# Significant Benefits:

- Approved design: State of Colorado standard.
- High quality casting: Smooth, uniform finish, and precise dimensions.
- Maximum versatility: Can be use for both permanent or temporary locations.
- Easy handling and placement: Convenient 10 ft. sections with cast-in identifying marks for mating ends.
- Durability and strength: Steel reinforced concrete.
- Weight: 4000 lbs. per 10 ft. sections.
- VAUGHN SAFETY BARRIERS delivers to construction site for either permanent or temporary installation.



# The #1 Precast Concrete Safety Barrier



**vaughn**  
**construction**  
PRE-CAST CONCRETE PRODUCTS

The #1 safety barrier in the market . .

## **Purchase**

Purchase our safety barrier complete with connecting pins. Have the barriers loaded on your truck, or trailer, at our plant or have us deliver to your job site with our crane equipped truck.

## **Rental**

We offer an economical way to provide temporary, or long term use for road maintenance, safety improvements, or anywhere traffic flow must be regulated or workmen protected. Rental rates are based on a per foot per month basis. We deliver to the work site and pick up the barrier after the job has been completed.

**We maintain a large stock of barriers to meet your immediate safety needs.**

12650 Tucson Street • Henderson, Colorado 80640 • (303) 659-3747  
2671 So. Greeley Hwy. • Cheyenne, Wyoming 82007 • (307) 634-0695

 **vaughn  
excavating & construction, inc.**  
PRE-CAST CONCRETE PRODUCTS  
12650 Tucson Street Henderson, Colorado 80640-9499