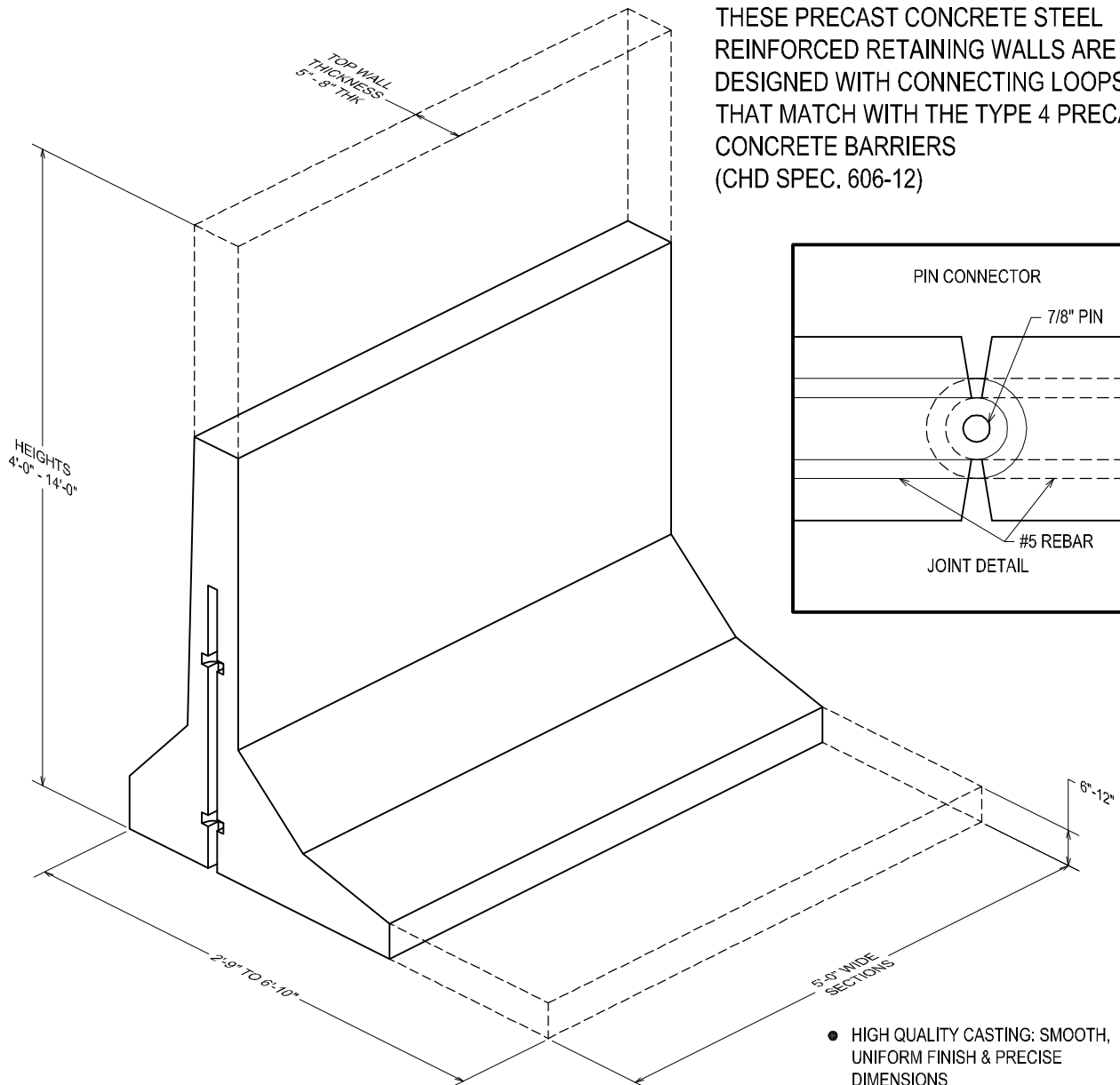
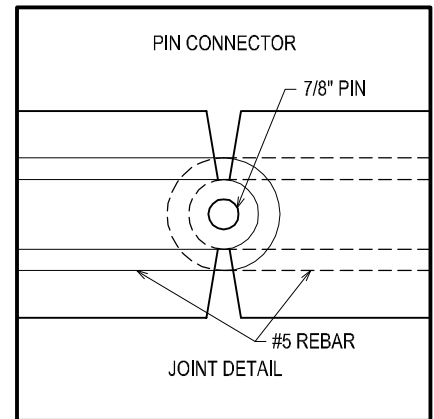


PRECAST CONCRETE BARRIER WALL

COLORADO STATE HWY DEPT. SPEC. "L WALLS"



THESE PRECAST CONCRETE STEEL REINFORCED RETAINING WALLS ARE DESIGNED WITH CONNECTING LOOPS THAT MATCH WITH THE TYPE 4 PRECAST CONCRETE BARRIERS (CHD SPEC. 606-12)



- HIGH QUALITY CASTING: SMOOTH, UNIFORM FINISH & PRECISE DIMENSIONS
- MAXIMUM VERSATILITY: CAN BE USED FOR BOTH PERMANENT OR TEMPORARY LOCATIONS.
- EASY HANDLING & PLACEMENT

ACTUAL DIMENSIONS OF CONCRETE PRODUCTS MAY VARY SLIGHTLY

vaughn
concrete products, inc.

C-BARRIER WALL CO.2WG
DATE CREATED: 11.21.02

12650 Tucson Street • Henderson, Colorado 80640 • 303-659-3747, Fax 303-659-1333
2671 So. Greeley Hwy • Cheyenne, Wyoming 82007 • 307-634-0695, Fax 307-634-0694
10021 Amarillo Blvd. East • Amarillo, Texas 79108 • 806-374-3747, Fax 806-335-3717