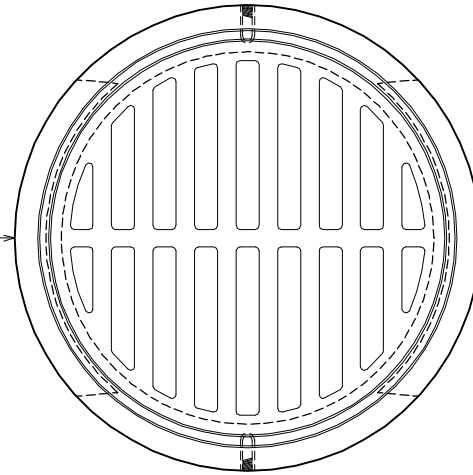


# PRECAST CONCRETE CATCH BASIN

24" INSIDE DIAMETER  
VCP ITEM #2020 ROUND CATCH BASIN

MANUFACTURED TO ASTM C-478

1½" DEEP RECESSED  
KNOCKOUTS 20" DIAMETER AT  
FLOOR LEVEL, TYP. OF 2

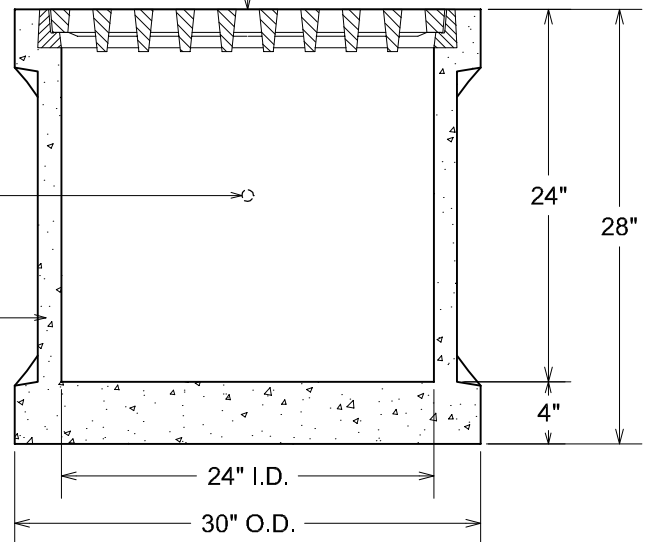


PLAN VIEW

OUR STANDARD CAST IRON RING & GRATE CAST IN  
(OPEN FLOW AREA OF GRATE; 180 SQ. INCHES)

¾" STANDARD THREAD LIFTING INSERTS  
CAST IN, TYP. OF 2

1½" DEEP RECESSED  
KNOCKOUTS 20" DIAMETER AT  
FLOOR LEVEL, TYP. OF 2



SECTION VIEW

WEIGHTS:

- COMPLETE CATCH BASIN WEIGHS APPX. 850 LBS.
- GRATE WEIGHS APPX. 120 LBS.

NOTES:

- CONCRETE: 4000 P.S.I. MINIMUM
- REINFORCING: GRADE 60 MINIMUM
- SUITABLE FOR OCCASIONAL AASHTO HS-20-44 LOADINGS  
WHEN PLACED ON MATERIAL CAPABLE OF SUPPORTING  
THE LOADINGS

EXCAVATION TO BE PROPERLY  
PREPARED WITH SUITABLE MATERIAL  
TO PLACE STRUCTURE ONTO

ACTUAL DIMENSIONS OF CONCRETE PRODUCTS MAY VARY SLIGHTLY

**vaughn**  
**concrete products, inc.**

DRAWING NOT TO SCALE

CATCH BASIN-24 DIAMETER.DWG  
DATE CREATED: 12/08  
UPDATED: -----

12650 Tucson Street • Henderson, Colorado 80640 • 303-659-3747, Fax 303-659-1333  
2671 South Greeley Hwy • Cheyenne, Wyoming 82007 • 307-634-0695, Fax 307-634-0694  
10021 Amarillo Blvd East • Amarillo, Texas 79108 • 806-374-3747, Fax 806-335-3717

[www.vaughnconcreteproducts.com](http://www.vaughnconcreteproducts.com)