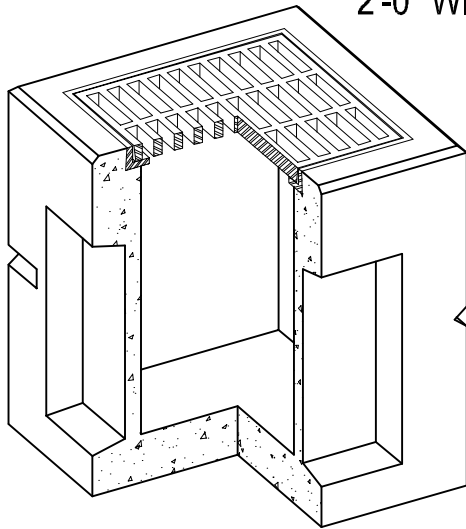
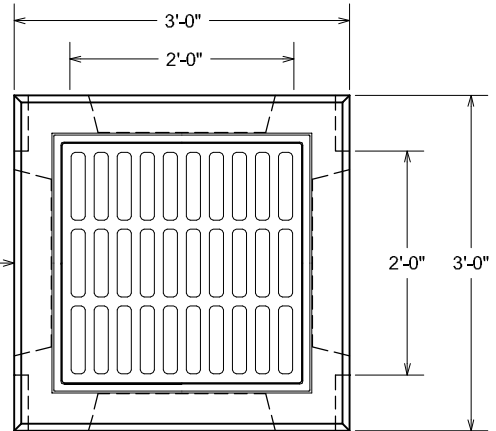


# PRECAST CONCRETE CATCH BASIN

2'-0" WIDE X 2'-0" LONG X 2'-6" HIGH INSIDE DIMENSIONS  
VCP ITEM #202025 CATCH BASIN  
WITH CAST IRON FRAME & GRATE



KNOCKOUTS 18" WIDE X 24" TALL X 4" DEEP,  
CENTERED IN WIDTH OF EACH WALL AT FLOOR  
LEVEL, TYP. OF 4



PLAN VIEW

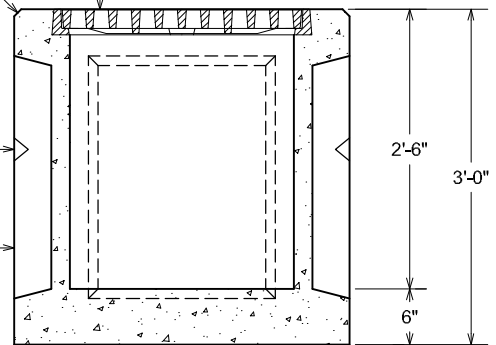
OUR STANDARD CAST IRON FRAME & GRATE CAST IN;  
GRATE WEIGHS APPX. 175 LBS.  
(ADA COMPLIANT GRATE ALSO AVAILABLE AS A  
SPECIAL ORDER ITEM, IF REQUIRED)

THE OPEN FLOW AREA OF OUR  
STANDARD GRATE IS 340 SQUARE  
INCHES OR 2.36 SQUARE FEET

ENTIRE TOP PERIMETER EDGE IS CHAMFERED

PROVIDED WITH LIFT NOTCHES FOR  
HANDLING, TYP. OF 4

KNOCKOUTS 18" WIDE X 24" TALL X 4" DEEP,  
CENTERED IN WIDTH OF EACH WALL AT FLOOR  
LEVEL, TYP. OF 4



SECTION VIEW

**NOTES:**

- CONCRETE: 4000 P.S.I. MINIMUM
- REINFORCING: GRADE 60 MINIMUM
- DESIGNED FOR AASHTO HS-20-44 LOADINGS

**WEIGHT:**

- CATCH BASIN WEIGHS APPROXIMATELY 2,200 LBS.

ACTUAL DIMENSIONS OF CONCRETE PRODUCTS MAY VARY SLIGHTLY

EXCAVATION TO BE PROPERLY  
PREPARED WITH SUITABLE MATERIAL TO  
PLACE STRUCTURE ONTO

DRAWING NOT TO SCALE

**vaughn**  
**concrete products, inc.**

2X2X2-6 CATCH BASIN.DWG  
DATE CREATED: 12 / 06  
UPDATED: 12 / 09

12650 Tucson Street • Henderson, Colorado 80640 • 303-659-3747, Fax 303-659-1333  
2671 South Greeley Hwy • Cheyenne, Wyoming 82007 • 307-634-0695, Fax 307-634-0694  
10021 Amarillo Blvd East • Amarillo, Texas 79108 • 806-374-3747, Fax 806-335-3717  
[www.vaughnconcreteproducts.com](http://www.vaughnconcreteproducts.com)