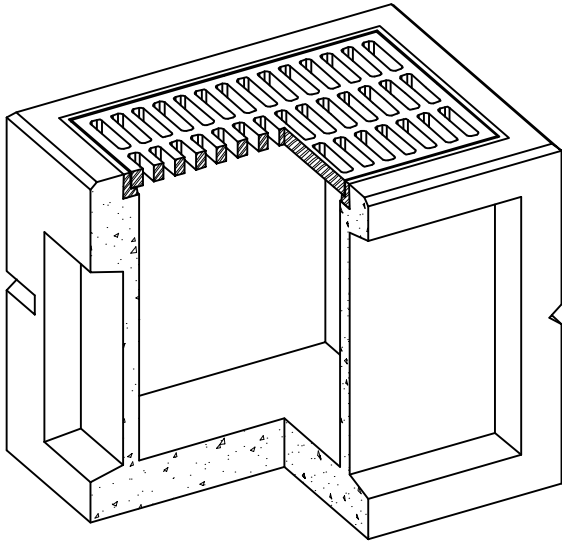
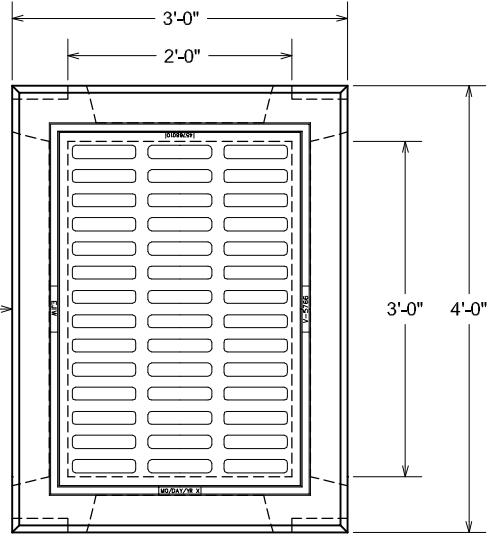


# PRECAST CONCRETE CATCH BASIN

2'-0" WIDE X 3'-0" LONG X 3'-0" HIGH INSIDE DIMENSIONS  
VCP ITEM #203030 CATCH BASIN  
WITH CAST IRON FRAME & GRATE



KNOCKOUTS 36" WIDE X 30" TALL X 4" DEEP,  
CENTERED IN WIDTH OF EACH SIDE WALL AT  
FLOOR LEVEL, TYP. OF 2



PLAN VIEW

OUR STANDARD CAST IRON FRAME & GRATE CAST IN;  
GRATE WEIGHS APPX. 300 LBS.

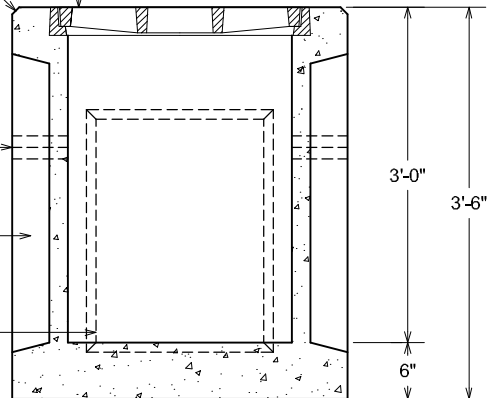
THE OPEN FLOW AREA OF OUR  
STANDARD GRATE IS 397 SQUARE  
INCHES OR 2.76 SQUARE FEET

ENTIRE TOP PERIMETER EDGE IS CHAMFERED

PROVIDED WITH LIFT NOTCHES FOR  
HANDLING, TYP. OF 4

KNOCKOUTS 36" WIDE X 30" TALL X 4" DEEP,  
CENTERED IN WIDTH OF EACH SIDE WALL AT  
FLOOR LEVEL, TYP. OF 2

KNOCKOUTS 18" WIDE X 24" TALL X 4" DEEP,  
CENTERED IN WIDTH OF EACH END WALL AT  
FLOOR LEVEL, TYP. OF 2



SECTION VIEW

**NOTES:**

- CONCRETE: 4000 P.S.I. MINIMUM
- REINFORCING: GRADE 60 MINIMUM
- DESIGNED FOR AASHTO HS-20-44 LOADINGS

**WEIGHT:**

- CATCH BASIN WEIGHS APPROXIMATELY 3,000 LBS.

ACTUAL DIMENSIONS OF CONCRETE PRODUCTS MAY VARY SLIGHTLY

EXCAVATION TO BE PROPERLY  
PREPARED WITH SUITABLE MATERIAL TO  
PLACE STRUCTURE ONTO

DRAWING NOT TO SCALE

**vaughn**  
**concrete products, inc.**

2X3X3 CATCH BASIN.DWG  
DATE CREATED: 12/09  
UPDATED: -----

12650 Tucson Street • Henderson, Colorado 80640 • 303-659-3747, Fax 303-659-1333  
2671 South Greeley Hwy • Cheyenne, Wyoming 82007 • 307-634-0695, Fax 307-634-0694  
10021 Amarillo Blvd East • Amarillo, Texas 79108 • 806-374-3747, Fax 806-335-3717

[www.vaughnconcreteproducts.com](http://www.vaughnconcreteproducts.com)