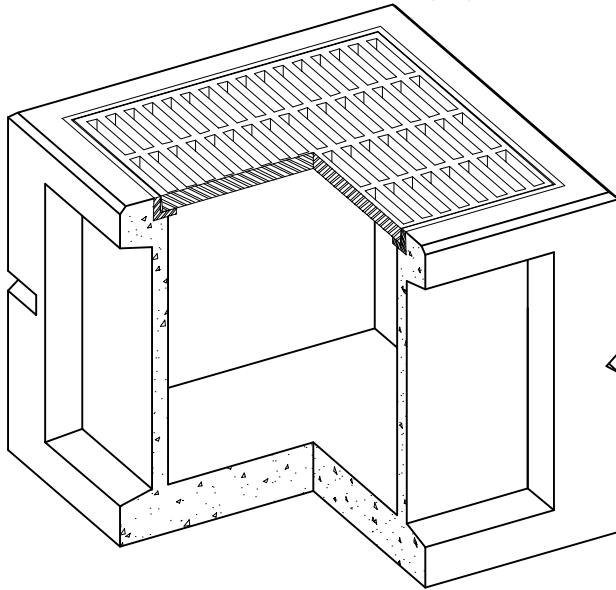
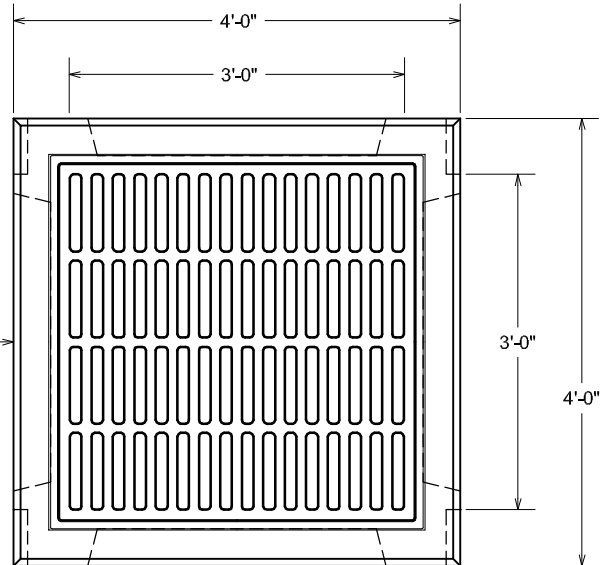


PRECAST CONCRETE CATCH BASIN

3'-0" WIDE X 3'-0" LONG X 3'-0" HIGH INSIDE DIMENSIONS
VCP ITEM #303030 CATCH BASIN
WITH CAST IRON FRAME & GRATE



KNOCKOUTS 30" WIDE X 30" TALL X 4" DEEP,
CENTERED IN WIDTH OF EACH WALL AT FLOOR
LEVEL, TYP. OF 4



PLAN VIEW

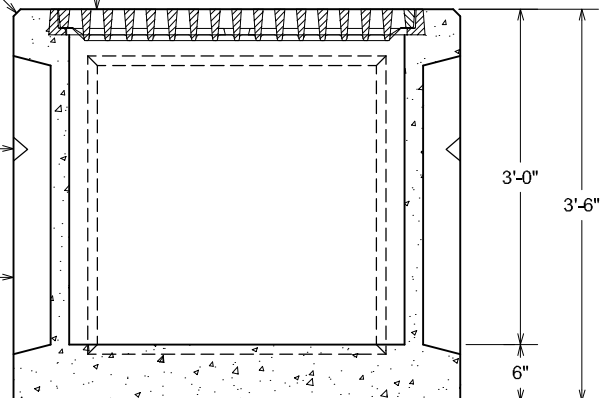
OUR STANDARD CAST IRON FRAME & GRATE CAST IN;
GRATE WEIGHS APPX. 450 LBS.

THE OPEN FLOW AREA OF OUR
STANDARD GRATE IS 750 SQUARE
INCHES OR 5.21 SQUARE FEET

ENTIRE TOP PERIMETER EDGE IS CHAMFERED

PROVIDED WITH LIFT NOTCHES FOR
HANDLING, TYP. OF 4

KNOCKOUTS 30" WIDE X 30" TALL X 4" DEEP,
CENTERED IN WIDTH OF EACH WALL AT FLOOR
LEVEL, TYP. OF 4



SECTION VIEW

NOTES:

- CONCRETE: 4000 P.S.I. MINIMUM
- REINFORCING: GRADE 60 MINIMUM
- DESIGNED FOR AASHTO HS-20-44 LOADINGS

WEIGHT:

- CATCH BASIN WEIGHS APPROXIMATELY 3,600 LBS.

ACTUAL DIMENSIONS OF CONCRETE PRODUCTS MAY VARY SLIGHTLY

EXCAVATION TO BE PROPERLY
PREPARED WITH SUITABLE MATERIAL TO
PLACE STRUCTURE ONTO

DRAWING NOT TO SCALE

**vaughn
concrete products, inc.**

3X3X3 CATCH BASIN.DWG
DATE CREATED: 12 / 06
UPDATED: 12 / 09

12650 Tucson Street • Henderson, Colorado 80640 • 303-659-3747, Fax 303-659-1333
2671 South Greeley Hwy • Cheyenne, Wyoming 82007 • 307-634-0695, Fax 307-634-0694
10021 Amarillo Blvd East • Amarillo, Texas 79108 • 806-374-3747, Fax 806-335-3717

www.vaughnconcreteproducts.com