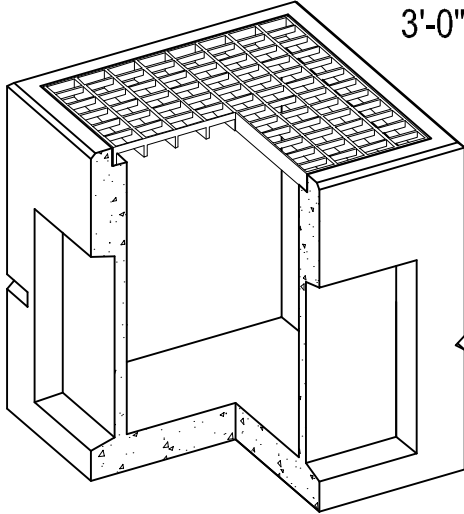


# PRECAST CONCRETE CATCH BASIN

3'-0" WIDE X 3'-0" LONG X 4'-0" HIGH INSIDE DIMENSIONS  
VCP ITEM #303040 CATCH BASIN  
WITH HOT DIPPED GALVANIZED STEEL GRATE



KNOCKOUTS 30" WIDE X 30" TALL X 4" DEEP,  
CENTERED IN WIDTH OF EACH WALL AT FLOOR  
LEVEL, TYP. OF 4

3/4" DEEP NOTCH CAST IN FOR  
GALVANIZED STEEL GRATE TO SET INTO;  
GRATE HAS AN OPEN FLOW AREA OF  
APPX. 1,200 SQ. INCHES;  
GRATE WEIGHS APPX. 270 LBS.

ENTIRE TOP PERIMETER EDGE IS CHAMFERED

PROVIDED WITH LIFT NOTCHES FOR  
HANDLING, TYP. OF 4

KNOCKOUTS 30" WIDE X 30" TALL X 4" DEEP,  
CENTERED IN WIDTH OF EACH WALL AT FLOOR  
LEVEL, TYP. OF 4

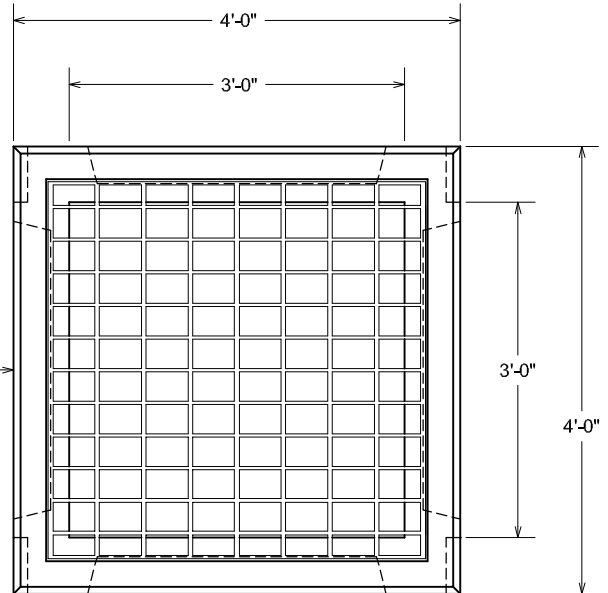
**NOTES:**

- CONCRETE: 4000 P.S.I. MINIMUM
- REINFORCING: GRADE 60 MINIMUM
- DESIGNED FOR AASHTO HS-20-44 LOADINGS

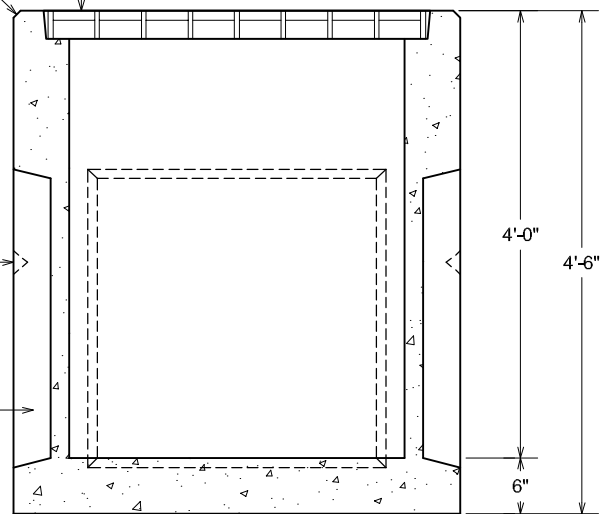
**WEIGHT:**

- CATCH BASIN WITH GRATE WEIGHS APPX. 4,500 LBS.

ACTUAL DIMENSIONS OF CONCRETE PRODUCTS MAY VARY SLIGHTLY



**PLAN VIEW**



**SECTION VIEW**

EXCAVATION TO BE PROPERLY  
PREPARED WITH SUITABLE MATERIAL TO  
PLACE STRUCTURE ONTO

DRAWING NOT TO SCALE

3X3X4 CATCH BASIN.DWG  
DATE CREATED: 12/09  
UPDATED: -----



12650 Tucson Street • Henderson, Colorado 80640 • 303-659-3747, Fax 303-659-1333  
2671 South Greeley Hwy • Cheyenne, Wyoming 82007 • 307-634-0695, Fax 307-634-0694  
10021 Amarillo Blvd East • Amarillo, Texas 79108 • 806-374-3747, Fax 806-335-3717

[www.vaughnconcreteproducts.com](http://www.vaughnconcreteproducts.com)