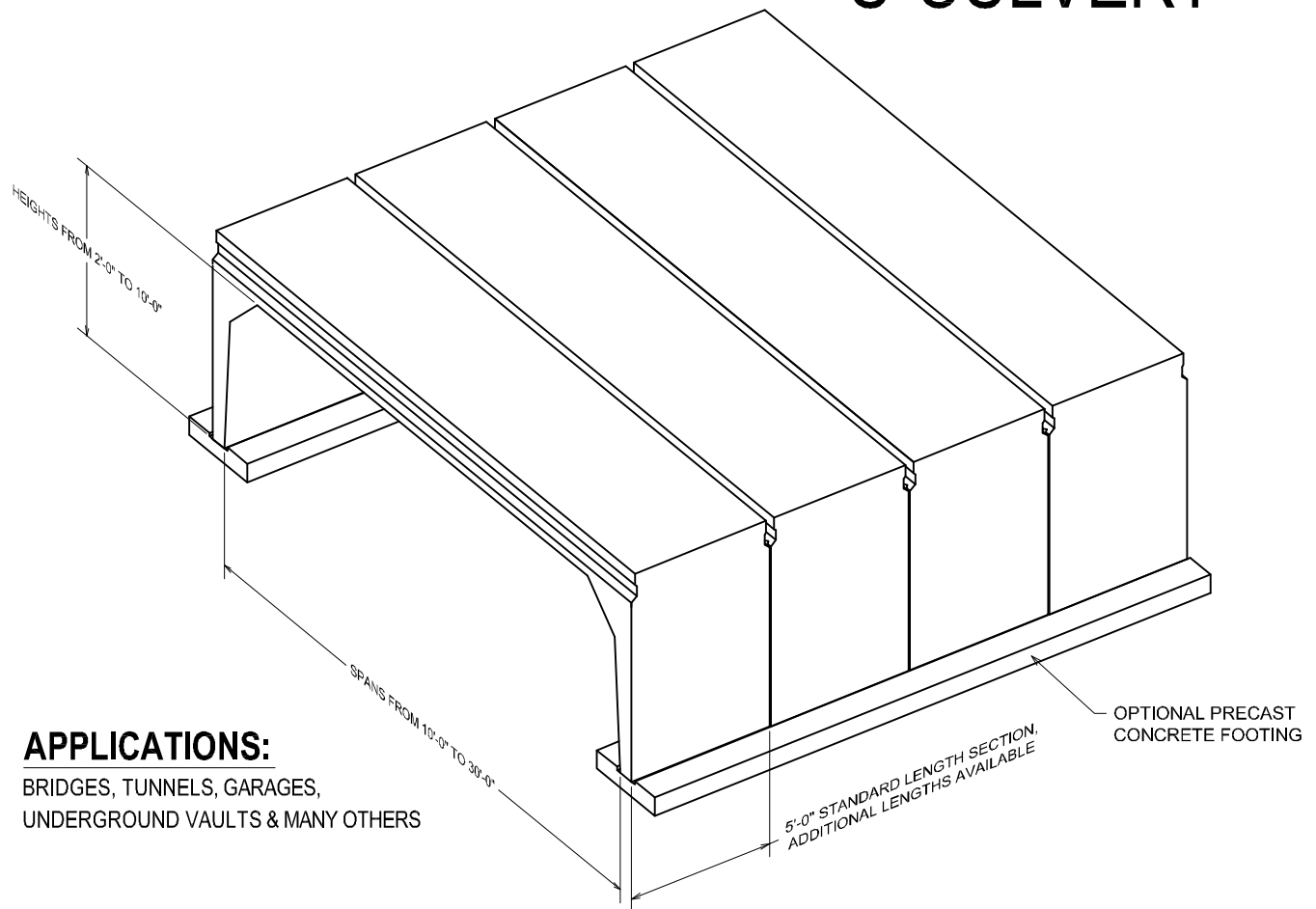


PRECAST CONCRETE U-CULVERT



APPLICATIONS:

BRIDGES, TUNNELS, GARAGES,
UNDERGROUND VAULTS & MANY OTHERS

AVAILABLE OPTIONS:

- PRECAST FOOTINGS (SHOWN ABOVE)-
- PRECAST WING WALLS-
- BRIDGE PARAPETS-
- ATTACHMENTS FOR GUARDRAILS-
- HS-20-44 HWY TRAFFIC LOADING-
- HS-25 HWY TRAFFIC LOADING-
- ADDITIONAL LOAD CAPABILITIES-
- CONCRETE FLOOR & MANY OTHERS-

ADVANTAGES:

- WELD PLATES USED FOR CONNECTING SECTIONS-
- EASY-QUICK INSTALLATION-
- SHORT-TERM CONSTRUCTION TIME-
- INCREASE CHANNEL CAPACITY WITH MULTIPLE BAYS-
- HIGH STRENGTH CONCRETE-
- DURABLE LONG LIFE-
- CORROSION RESISTANT (WON'T RUST LIKE A STEEL BRIDGE)-
- MANUFACTURED TO MEET PARTICULAR PROJECT SPECIFICATIONS-
- HIGH QUALITY PRODUCT THAT IS PRODUCED IN A CONTROLLED ENVIRONMENT PLANT-

ACTUAL DIMENSIONS OF CONCRETE PRODUCTS MAY VARY SLIGHTLY

vaughn
concrete products, inc.

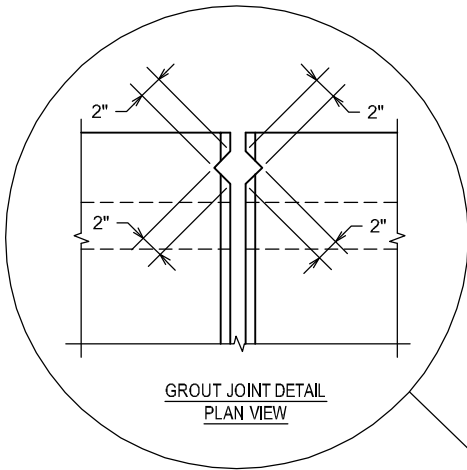
DRAWING NOT TO SCALE

U-CULVERT INFO.DWG
DATE CREATED: 11/ 05
UPDATED: -----

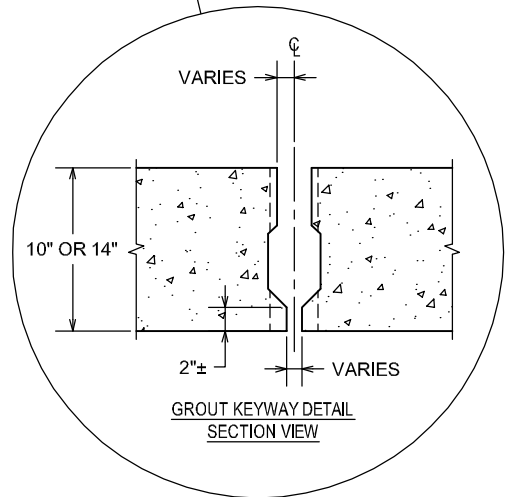
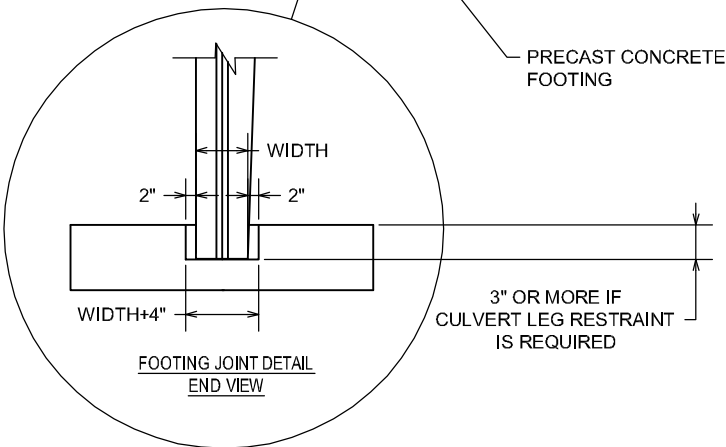
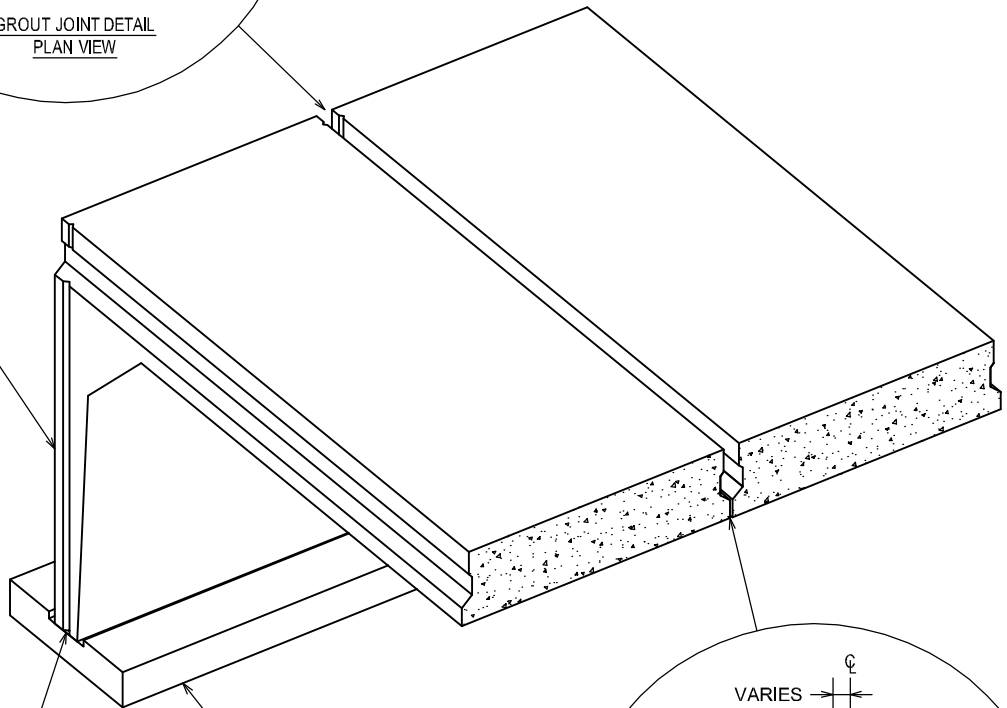
12650 Tucson Street • Henderson, Colorado 80640 • 303-659-3747, Fax 303-659-1333
2671 South Greeley Hwy • Cheyenne, Wyoming 82007 • 307-634-0695, Fax 307-634-0694
10021 Amarillo Blvd East • Amarillo, Texas 79108 • 806-374-3747, Fax 806-335-3717

www.vaughnconcreteproducts.com

PRECAST CONCRETE U-CULVERT DETAILS



U-CULVERT SECTIONS
SET INTO PRECAST
CONCRETE FOOTING



ACTUAL DIMENSIONS OF CONCRETE PRODUCTS MAY VARY SLIGHTLY

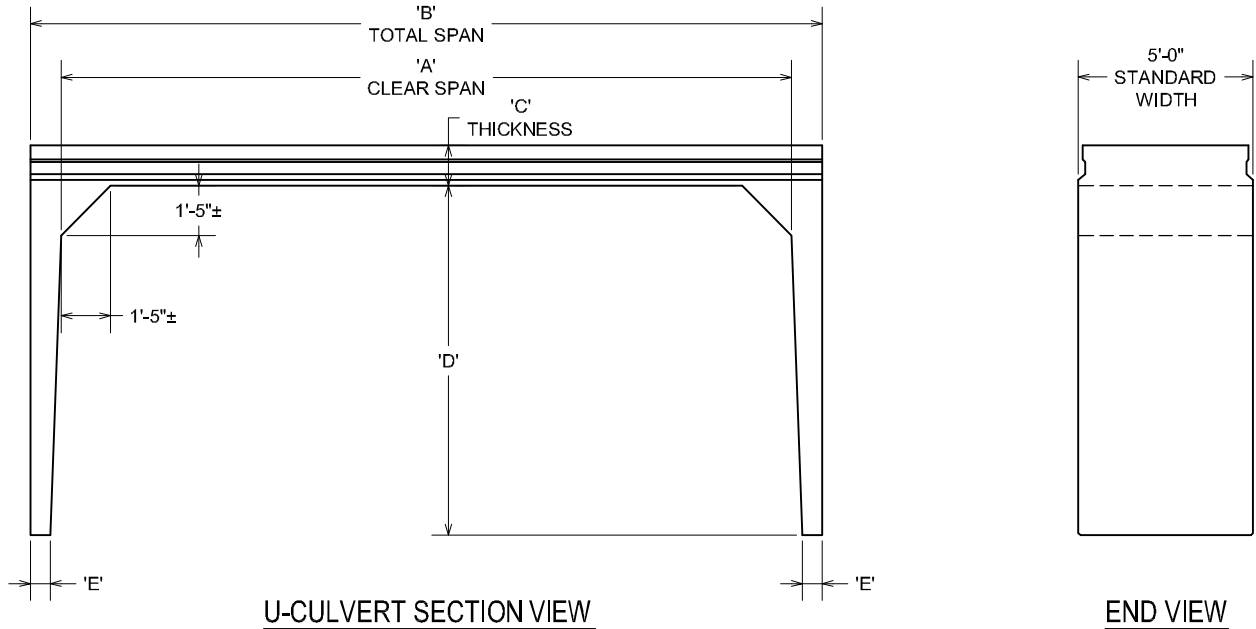
vaughn
concrete products, inc.

DRAWING NOT TO SCALE

U-CULVERT DETAILS.DWG
DATE CREATED: 11/05
UPDATED: -----

12650 Tucson Street • Henderson, Colorado 80640 • 303-659-3747, Fax 303-659-1333
2671 South Greeley Hwy • Cheyenne, Wyoming 82007 • 307-634-0695, Fax 307-634-0694
10021 Amarillo Blvd East • Amarillo, Texas 79108 • 806-374-3747, Fax 806-335-3717

PRECAST CONCRETE U-CULVERT SIZING PROPERTIES



U-CULVERT SECTION VIEW

END VIEW

5'-0" STANDARD WIDTH U-CULVERT PROPERTIES																		
A	B	C	D = 3FT.		D = 4FT.		D = 5FT.		D = 6FT.		D = 7FT.		D = 8FT.		D = 9FT.		D = 10FT.	
SPAN (FEET)	LENGTH (FEET)	THICKNESS (INCHES)	WATER WAY (SQ.FT.)	WEIGHT (TONS)	WATER WAY (SQ.FT.)	WEIGHT (TONS)	WATER WAY (SQ.FT.)	WEIGHT (TONS)	WATER WAY (SQ.FT.)	WEIGHT (TONS)	WATER WAY (SQ.FT.)	WEIGHT (TONS)	WATER WAY (SQ.FT.)	WEIGHT (TONS)	WATER WAY (SQ.FT.)	WEIGHT (TONS)	WATER WAY (SQ.FT.)	WEIGHT (TONS)
12	13.67	10.00	34	6.9	46	7.5	58	8.1	70	8.6	83	9.2	95	9.7	107	10.2	119	10.7
13	14.67	10.00	37	7.2	50	7.8	63	8.4	76	8.9	90	9.5	103	10	116	10.6	129	11.1
14	15.67	10.00	40	7.5	54	8.1	68	8.7	82	9.3	97	9.8	111	10.3	125	10.9	139	11.4
15	16.67	10.00	43	7.8	58	8.4	73	9	88	9.6	104	10.1	119	10.7	134	11.2	149	11.7
16	17.67	10.00	46	8.1	62	8.7	78	9.3	94	9.9	111	10.4	127	11	143	11.5	159	12
17	18.67	10.00	49	8.5	66	9	83	9.6	100	10.2	118	10.7	135	11.3	152	11.8	169	12.3
18	19.67	10.00	52	8.8	70	9.4	88	9.9	106	10.5	125	11.1	143	11.6	161	12.1	179	12.6
19	20.67	10.00	55	9.1	74	9.7	93	10.3	112	10.8	132	11.4	151	11.9	170	12.4	189	12.9
20	21.67	14.00	57	9.4	78	10	98	10.6	118	11.1	139	11.7	159	12.2	179	12.7	199	13.2
21	22.67	14.00	61	12.5	82	13.1	103	13.7	124	14.3	146	14.8	167	15.4	188	15.9	209	16.4
22	23.67	14.00	64	13	86	13.6	108	14.1	130	14.7	153	15.3	175	15.8	197	16.3	219	16.8
23	24.67	14.00	67	13.4	90	14	113	14.6	136	15.2	160	15.7	183	16.2	206	16.8	229	17.3
24	25.67	14.00	70	13.8	94	14.4	118	15	142	15.6	167	16.1	191	16.7	215	17.2	239	17.7
25	26.67	14.00	73	14.3	98	14.9	123	15.5	148	16	174	16.6	199	17.1	224	17.6	249	18.1
26	27.67	14.00	76	14.7	102	15.3	128	15.9	154	16.5	181	17	207	17.6	233	18.1	259	18.6
27	28.67	14.00	79	15.2	106	15.8	133	16.3	160	17	188	17.5	25	18	242	18.5	269	19
28	29.67	14.00	82	15.6	110	16.2	138	16.8	166	17.3	195	17.9	223	18.4	251	18.9	279	19.5
29	30.67	14.00	85	16	114	16.6	143	17.2	172	17	202	18.3	231	18.9	260	19.4	289	19.9
30	31.67	14.00	88	16.5	118	17.1	148	17.6	178	18.2	209	18.8	239	19.3	269	19.8	299	20.3
			E		E		E		E		E		E		E		E	
			LENGTH (INCHES)		LENGTH (INCHES)		LENGTH (INCHES)		LENGTH (INCHES)		LENGTH (INCHES)		LENGTH (INCHES)		LENGTH (INCHES)		LENGTH (INCHES)	
			10		9.625		9.125		8.75		8.375		7.875		7.375		6.875	

CALL FOR ADDITIONAL SPAN INFORMATION

ACTUAL DIMENSIONS OF CONCRETE PRODUCTS MAY VARY SLIGHTLY



DRAWING NOT TO SCALE

U-CULVERT SIZES.DWG
DATE CREATED: 11/05
UPDATED: -----

12650 Tucson Street • Henderson, Colorado 80640 • 303-659-3747, Fax 303-659-1333
 2671 South Greeley Hwy • Cheyenne, Wyoming 82007 • 307-634-0695, Fax 307-634-0694
 10021 Amarillo Blvd East • Amarillo, Texas 79108 • 806-374-3747, Fax 806-335-3717