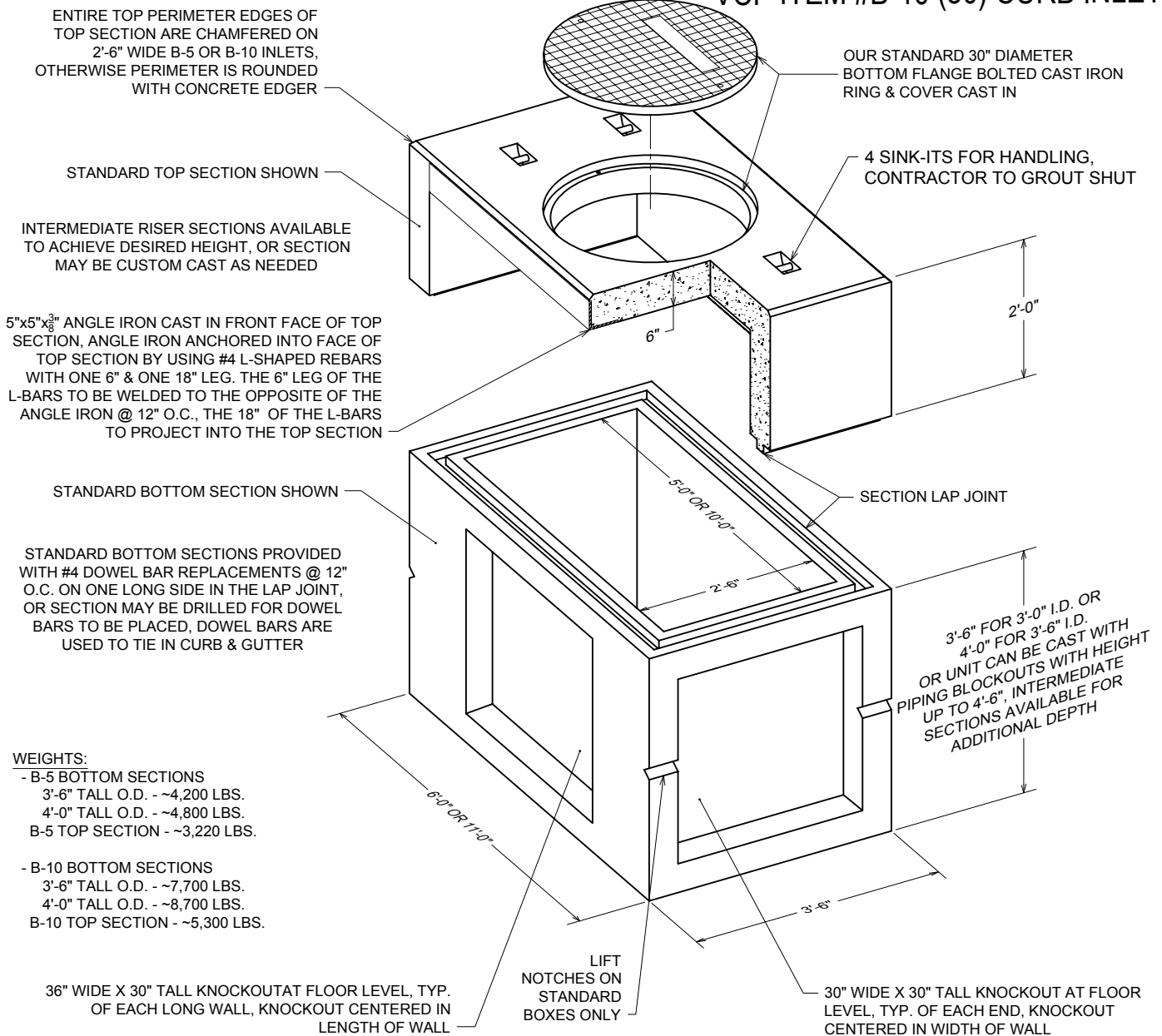


# PRECAST CONCRETE CURB INLET - 30" ACCESS

2'-6" WIDE X 5'-0" OR 10'-0" LONG INSIDE DIMENSIONS

VCP ITEM #B-5 (30) CURB INLET  
VCP ITEM #B-10 (30) CURB INLET



**NOTES:**

- CONCRETE: 5000 P.S.I. MINIMUM
- REINFORCING: GRADE 60 MINIMUM
- FLOOR, WALLS & ROOF ARE 6" THICK FOR BOTH BOX & TOP SECTION
- DESIGNED FOR AASHTO HS-20-44 LOADINGS

ACTUAL DIMENSIONS OF CONCRETE PRODUCTS MAY VARY SLIGHTLY

FOR LONGER CURB OPENING INSTALLATIONS, CUSTOM UNITS ARE AVAILABLE IN 15' & 20' INSIDE LENGTHS, OR USE MULTIPLE UNITS WITH FEEDER PIPES OR WINGS, SEE OTHER BROCHURES; CURB INLETS ALSO AVAILABLE AS SPECIAL ORDER ITEMS WITH AN INSIDE WIDTH OF 3'-6"

**vaughn**  
**concrete products, inc.**

DRAWING NOT TO SCALE

2-6X50R10 30-INCH CURB INLET - 150.DWG  
DATE CREATED: 10/10  
UPDATED: -----

12650 Tucson Street • Henderson, Colorado 80640 • 303-659-3747, Fax 303-659-1333  
2671 South Greeley Hwy • Cheyenne, Wyoming 82007 • 307-634-0695, Fax 307-634-0694  
10021 Amarillo Blvd East • Amarillo, Texas 79108 • 806-374-3747, Fax 806-335-3717

[www.vaughnconcreteproducts.com](http://www.vaughnconcreteproducts.com)