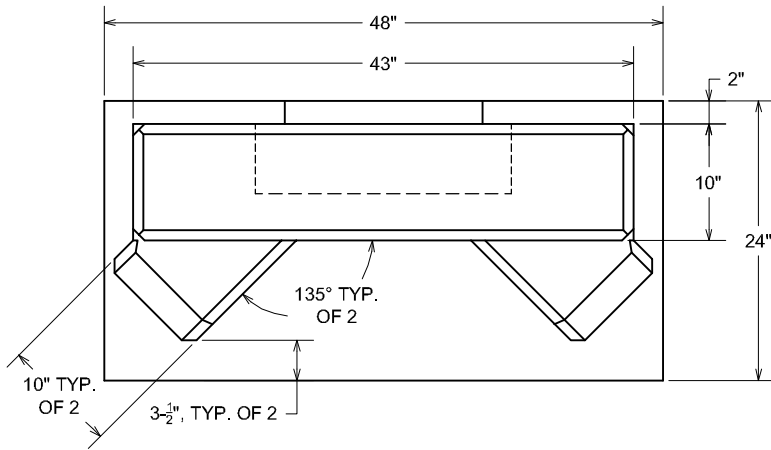
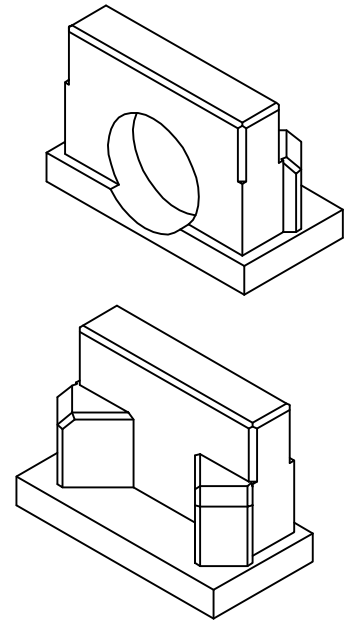


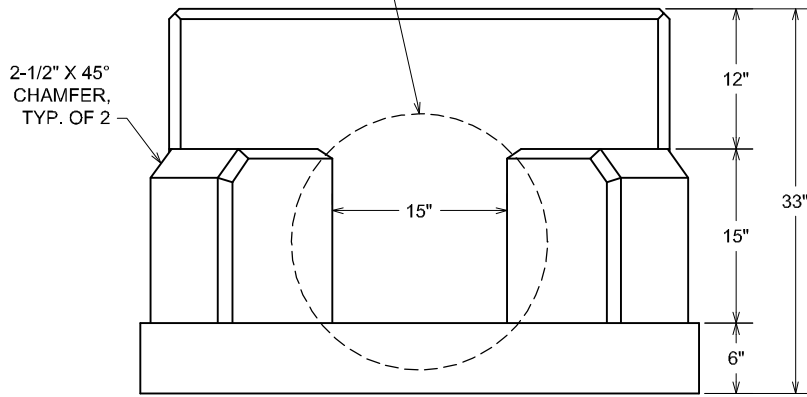
PRECAST CONCRETE SMALL HEADWALL



PLAN VIEW

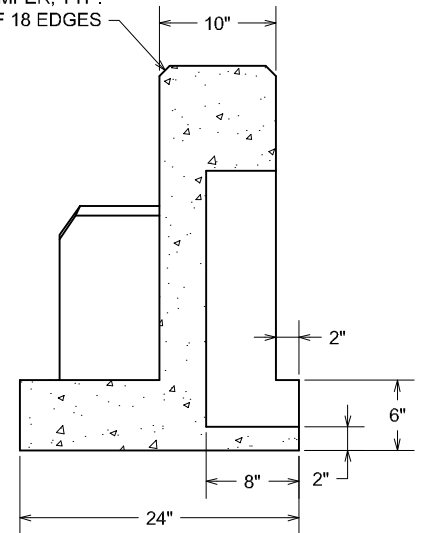


22" DIAMETER X 8" DEEP KNOCKOUT
FOR PIPE, 4" INTO THE FLOOR;
LEAVING 4" OF CONCRETE FOR FIELD
PLACEMENT OF PIPING OPENING



FRONT VIEW

1" X 45° CHAMFER, TYP.
OF 18 EDGES



SECTION VIEW

UNIT WEIGHS APPROXIMATELY 1,500 LBS.

CONCRETE: 4000 P.S.I. (MINIMUM)
REINFORCING: GRADE 60 (MINIMUM)

ACTUAL DIMENSIONS OF CONCRETE PRODUCTS MAY VARY SLIGHTLY

Vaughn
concrete products, inc.

DRAWING NOT TO SCALE

SMALL HEADWALL.DWG
DATE CREATED: 11/03
UPDATED: -----

12650 Tucson Street • Henderson, Colorado 80640 • 303-659-3747, Fax 303-659-1333
2671 South Greeley Hwy • Cheyenne, Wyoming 82007 • 307-634-0695, Fax 307-634-0694
10021 Amarillo Blvd East • Amarillo, Texas 79108 • 806-374-3747, Fax 806-335-3717