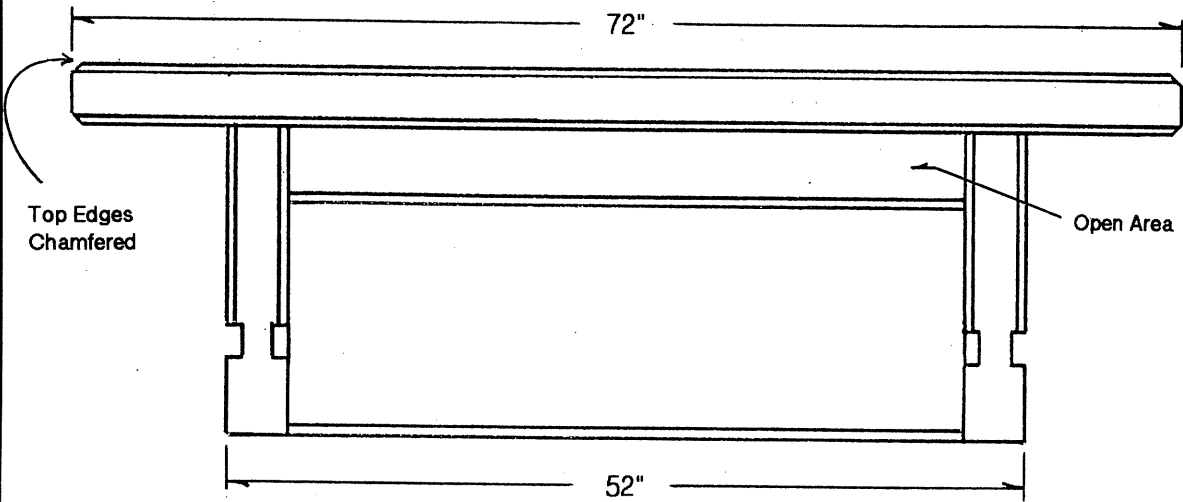
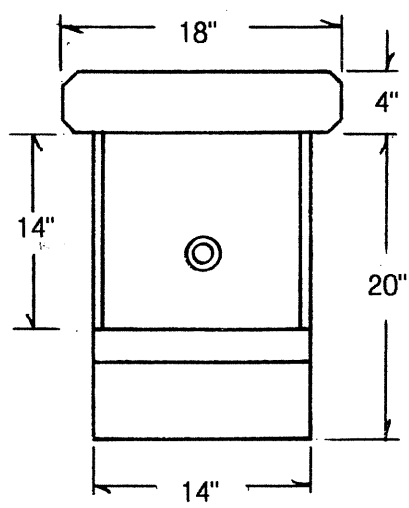


Precast Concrete

DECORATIVE BENCH



Side View



Unit Bolts Together
Pocket In Bench Seat
May Be Grouted Or Caulked
After Assembly

Legs Are Normally
Set In Concrete

End View

Actual dimensions of concrete products may vary slightly

vaughn
concrete products, inc.

12650 Tucson Street • Henderson, Colorado 80640 • 303-659-3747, Fax 303-659-1333
2671 So. Greeley Hwy • Cheyenne, Wyoming 82007 • 307-634-0695, Fax 307-634-0694
10021 Amarillo Blvd. East • Amarillo, Texas 79107 • 806-374-3747, Fax 806-335-3717