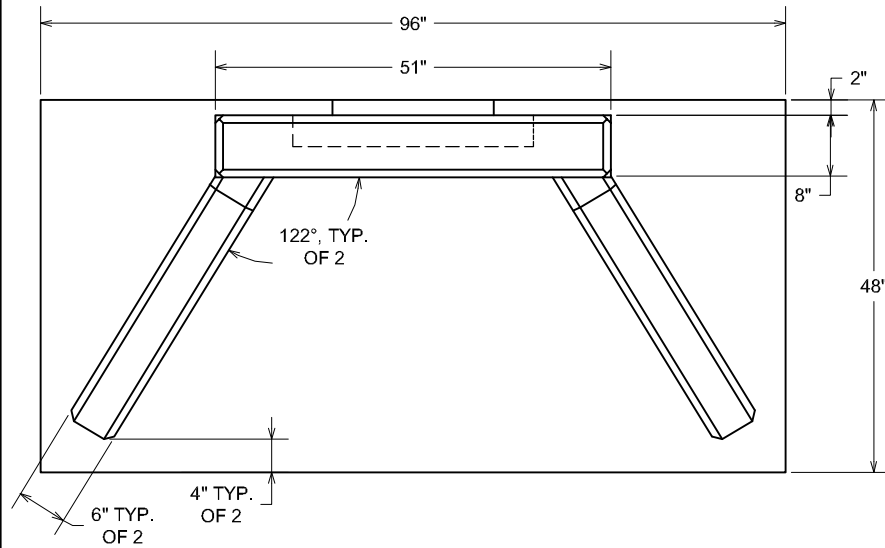
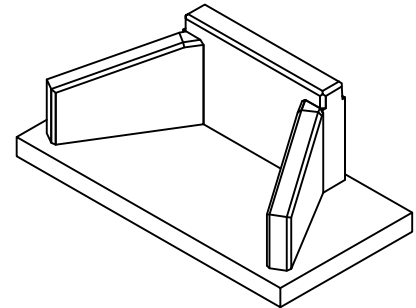
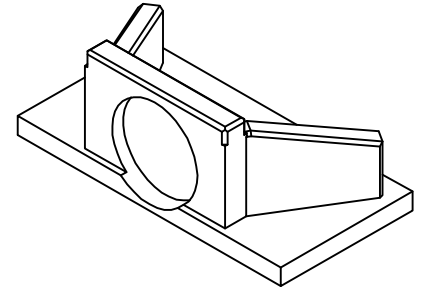


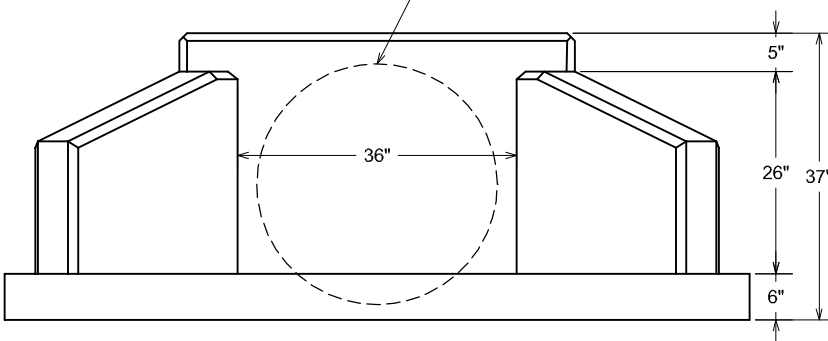
# PRECAST CONCRETE LARGE HEADWALL



**PLAN VIEW**

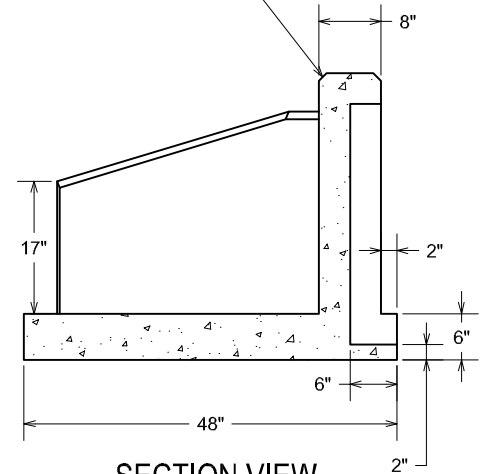


31" DIAMETER X 6" DEEP KNOCKOUT FOR  
PIPE, 4" INTO THE FLOOR;  
LEAVING 4" OF CONCRETE FOR FIELD  
PLACEMENT OF PIPING OPENING



**FRONT VIEW**

1" X 45° CHAMFER,  
TYP. OF 20 EDGES



**SECTION VIEW**

UNIT WEIGHS APPROXIMATELY 4,500 LBS.

CONCRETE: 4000 P.S.I. (MINIMUM)  
REINFORCING: GRADE 60 (MINIMUM)

ACTUAL DIMENSIONS OF CONCRETE PRODUCTS MAY VARY SLIGHTLY

THE HEADWALL CAN BE CUSTOM MADE  
TO ACCOMMODATE LARGER PIPE SIZES  
THAN SHOWN OR MULTIPLE PIPES

DRAWING NOT TO SCALE

**Vaughn**  
**concrete products, inc.**

LARGE HEADWALL.DWG  
DATE CREATED: 11/03  
UPDATED: -----

12650 Tucson Street • Henderson, Colorado 80640 • 303-659-3747, Fax 303-659-1333  
2671 South Greeley Hwy • Cheyenne, Wyoming 82007 • 307-634-0695, Fax 307-634-0694  
10021 Amarillo Blvd East • Amarillo, Texas 79108 • 806-374-3747, Fax 806-335-3717