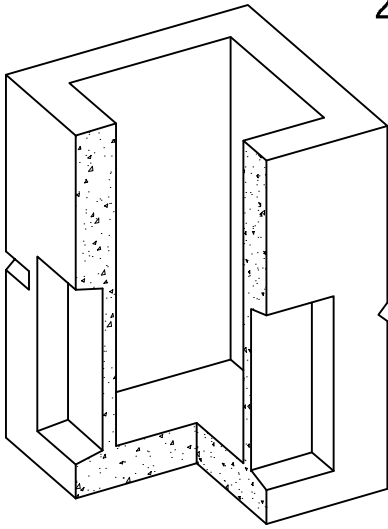


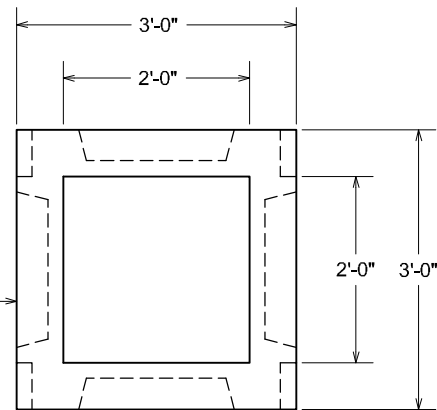
PRECAST CONCRETE INLET BOX

2'-0" WIDE X 2'-0" LONG X 4'-0" HIGH INSIDE DIMENSIONS
VCP ITEM #202040 INLET WITH KNOCKOUTS

WITH THE PROPER CAST IRON FRAME & GRATE,
THIS INLET BOX IS SUITABLE FOR USE AS A CITY
OF CHEYENNE TYPE B INLET.



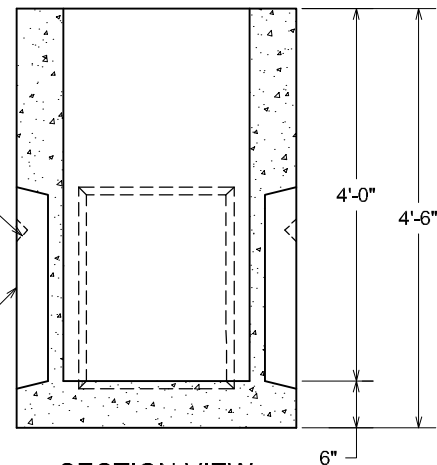
18"x24"x4" DEEP KNOCKOUTS AT
FLOOR LEVEL, CENTERED IN 2'-0"
WALL WIDTH, TYP. EACH WALL



PLAN VIEW

PROVIDED WITH LIFT NOTCHES
FOR HANDLING, TYP. OF 4

18"x24"x4" DEEP KNOCKOUTS AT
FLOOR LEVEL, CENTERED IN 2'-0"
WALL WIDTH, TYP. EACH WALL



SECTION VIEW

NOTES:

- CONCRETE: 4000 P.S.I. MINIMUM
- REINFORCING: GRADE 60 MINIMUM
- WALLS & FLOOR TO BE 6" THICK
- DESIGNED FOR AASHTO HS-20-44 LOADINGS

UNIT WEIGHS APPROXIMATELY 3,700 LBS.

ACTUAL DIMENSIONS OF CONCRETE PRODUCTS MAY VARY SLIGHTLY

EXCAVATION TO BE PROPERLY
PREPARED WITH SUITABLE MATERIAL
TO PLACE STRUCTURE ONTO

DRAWING NOT TO SCALE

2X2X4 INLET-COPY.DWG
DATE CREATED: 11/04
UPDATED: 12/09

vaughn
concrete products, inc.

12650 Tucson Street • Henderson, Colorado 80640 • 303-659-3747, Fax 303-659-1333
2671 South Greeley Hwy • Cheyenne, Wyoming 82007 • 307-634-0695, Fax 307-634-0694
10021 Amarillo Blvd East • Amarillo, Texas 79108 • 806-374-3747, Fax 806-335-3717

www.vaughnconcreteproducts.com