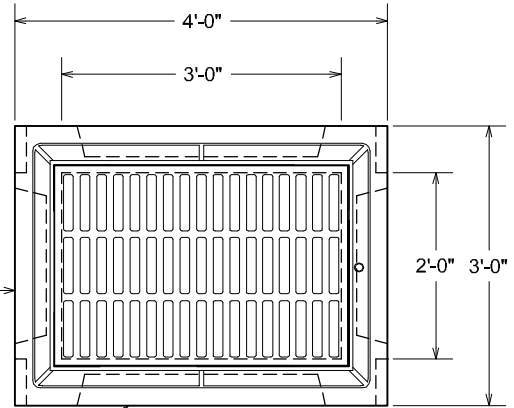
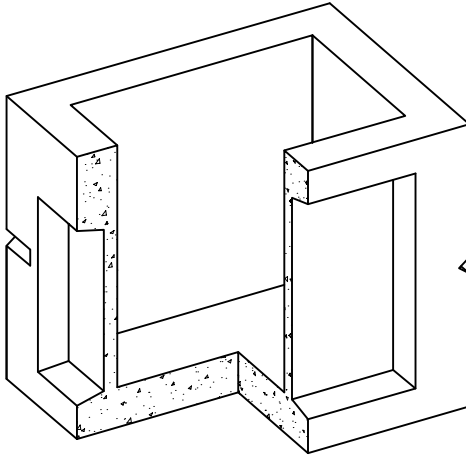


PRECAST CONCRETE INLET BOX

2'-0" WIDE X 3'-0" LONG X 3'-0" HIGH INSIDE DIMENSIONS
VCP ITEM #203030 INLET WITH KNOCKOUTS

THIS INLET BOX MAY BE USED WITH THE PROPER CAST IRON FRAME & GRATE TO SATISFY CITY OF LARAMIE STANDARDS FOR A 3 CFS INLET. USE MULTIPLE INLETS WITH A SHORT FEEDER PIPE FOR CONNECTING INLETS FOR 6 CFS APPLICATIONS.



KNOCKOUTS 18" WIDE X 24" TALL X 4" DEEP AT FLOOR LEVEL, CENTERED IN WIDTH OF EACH SHORT WALL, TYP. OF 2

KNOCKOUTS 30" WIDE X 30" TALL X 4" DEEP AT FLOOR LEVEL, CENTERED IN LENGTH OF EACH LONG WALL, TYP. OF 2

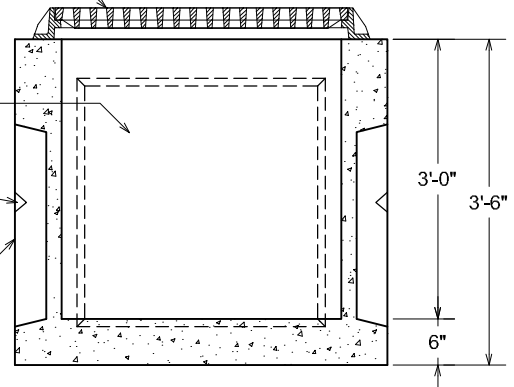
PLAN VIEW

OUR STANDARD CAST IRON FRAME & GRATE

KNOCKOUTS 30" WIDE X 30" TALL X 4" DEEP AT FLOOR LEVEL, CENTERED IN LENGTH OF EACH LONG WALL, TYP. OF 2

PROVIDED WITH LIFT NOTCHES FOR HANDLING, TYP. OF 4

KNOCKOUTS 18" WIDE X 24" TALL X 4" DEEP AT FLOOR LEVEL, CENTERED IN WIDTH OF EACH SHORT WALL, TYP. OF 2



SECTION VIEW

NOTES:

- CONCRETE: 4000 P.S.I. MINIMUM
- REINFORCING: GRADE 60 MINIMUM
- MANUFACTURED WITH 6" THICK FLOOR & WALLS
- DESIGNED FOR AASHTO HS-20-44 LOADINGS

UNIT WEIGHS APPROXIMATELY 3,600 LBS.

ACTUAL DIMENSIONS OF CONCRETE PRODUCTS MAY VARY SLIGHTLY

EXCAVATION TO BE PROPERLY PREPARED WITH SUITABLE MATERIAL TO PLACE STRUCTURE ONTO

DRAWING NOT TO SCALE

vaughn
concrete products, inc.

2X3X3 INLET, DWG
DATE CREATED: 8 / 03
UPDATED: 12 / 09

12650 Tucson Street • Henderson, Colorado 80640 • 303-659-3747, Fax 303-659-1333
2671 South Greeley Hwy • Cheyenne, Wyoming 82007 • 307-634-0695, Fax 307-634-0694
10021 Amarillo Blvd East • Amarillo, Texas 79108 • 806-374-3747, Fax 806-335-3717

www.vaughnconcreteproducts.com