

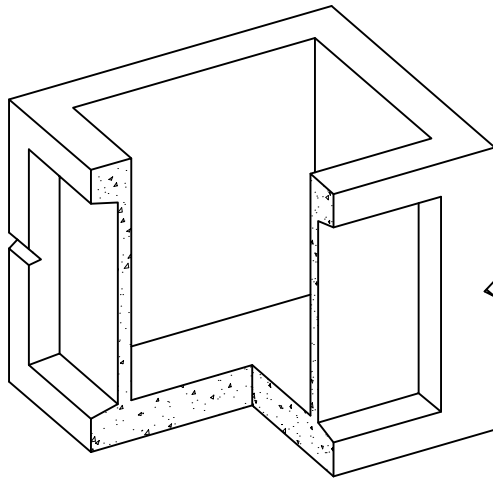
# PRECAST CONCRETE INLET BOX

2'-6" WIDE X 3'-0" LONG X 3'-0" OR 4'-0" HIGH INSIDE DIMENSIONS

VCP ITEM #253030 (3'-0" INSIDE HEIGHT)

VCP ITEM #253040 (4'-0" INSIDE HEIGHT)

INLET WITH KNOCKOUTS



THIS INLET BOX HAS THE SAME DIMENSIONS AS WY DEPARTMENT OF TRANSPORTATION'S **TYPE A INLET**. THIS INLET BOX IS SUITABLE FOR USE AS A **TYPE A INLET**.

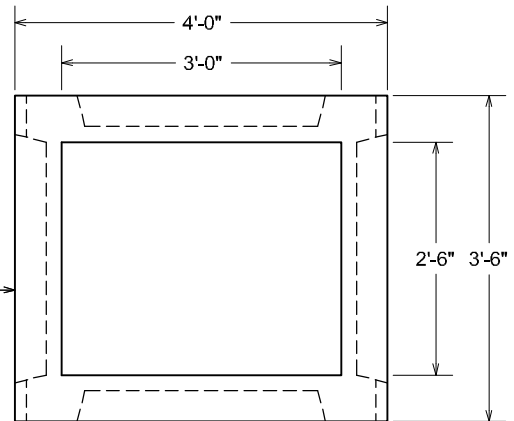
THIS INLET BOX MAY BE USED WITH THE PROPER CAST IRON FRAME & GRATE TO SATISFY CITY OF LARAMIE STANDARDS FOR A **5 CFS INLET**. USE MULTIPLE INLETS WITH A SHORT FEEDER PIPE FOR CONNECTING 10, 15 & 20 CFS APPLICATIONS.

KNOCKOUTS 30" WIDE X 30" TALL X 4" DEEP FOR 3'-0" INSIDE HEIGHT INLET, OR 30" WIDE X 36" TALL X 4" DEEP FOR 4'-0" INSIDE HEIGHT INLET, CENTERED IN WIDTH & LENGTH OF EACH WALL AT FLOOR LEVEL, TYP. ALL 4 WALLS

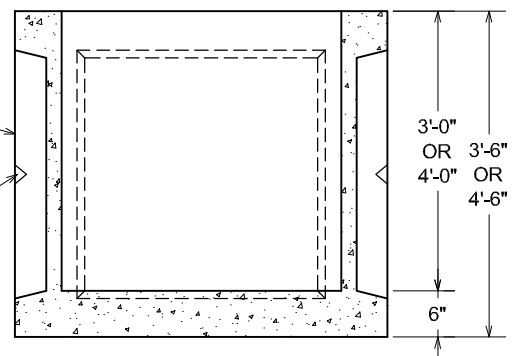
INLET CAN BE PROVIDED WITH FLAT CAST IRON FRAME & GRATE OR CAST IRON FRAME, GRATE & CURB HOOD

KNOCKOUTS 30" WIDE X 30" TALL X 4" DEEP FOR 3'-0" INSIDE HEIGHT INLET, OR 30" WIDE X 36" TALL X 4" DEEP FOR 4'-0" INSIDE HEIGHT INLET, CENTERED IN WIDTH & LENGTH OF EACH WALL AT FLOOR LEVEL, TYP. ALL 4 WALLS

PROVIDED WITH LIFT NOTCHES FOR HANDLING, TYP. OF 4



PLAN VIEW



SECTION VIEW

**NOTES:**

- CONCRETE: 4000 P.S.I. MINIMUM
- REINFORCING: GRADE 60 MINIMUM
- MANUFACTURED WITH 6" THICK FLOOR & WALLS
- DESIGNED FOR AASHTO HS-20-44 LOADINGS

3'-0" HIGH I.D. BOX WEIGHS APPX. 4,000 LBS.  
4'-0" HIGH I.D. BOX WEIGHS APPX. 5,000 LBS.

ACTUAL DIMENSIONS OF CONCRETE PRODUCTS MAY VARY SLIGHTLY

EXCAVATION TO BE PROPERLY PREPARED WITH SUITABLE MATERIAL TO PLACE STRUCTURE ONTO

DRAWING NOT TO SCALE

2-615X3 OR INLET.DWG  
DATE CREATED: 12/ 00  
UPDATED: 12/ 09

# vaughn concrete products, inc.

12650 Tucson Street • Henderson, Colorado 80640 • 303-659-3747, Fax 303-659-1333  
2671 South Greeley Hwy • Cheyenne, Wyoming 82007 • 307-634-0695, Fax 307-634-0694  
10021 Amarillo Blvd East • Amarillo, Texas 79108 • 806-374-3747, Fax 806-335-3717

[www.vaughnconcreteproducts.com](http://www.vaughnconcreteproducts.com)