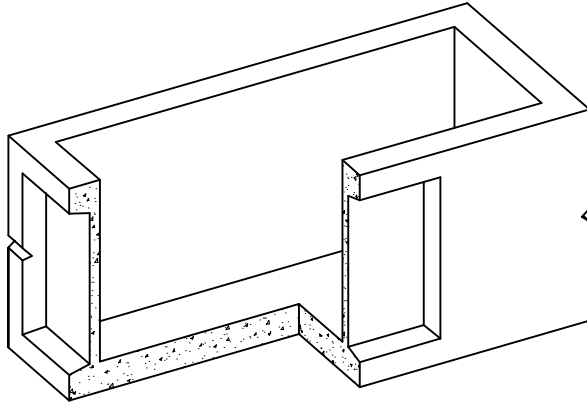


PRECAST CONCRETE INLET BOX

2'-6" WIDE X 6'-7" LONG X 3'-0" OR 4'-0" HIGH INSIDE DIMENSIONS
 VCP ITEM #256530 (3'-0" INSIDE HEIGHT)
 VCP ITEM #256540 (4'-0" INSIDE HEIGHT)
 DOUBLE INLET WITH KNOCKOUTS



THIS INLET BOX HAS THE SAME DIMENSIONS AS WY DEPARTMENT OF TRANSPORTATION'S **DOUBLE TYPE A INLET**. THIS INLET BOX IS SUITABLE FOR USE AS A **DOUBLE TYPE A INLET**.

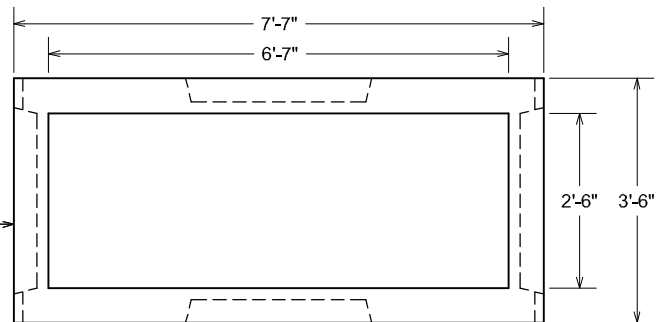
THIS INLET BOX MAY BE USED WITH THE PROPER CAST IRON FRAMES & GRATES TO SATISFY CITY OF LARAMIE STANDARDS FOR A 10 CFS INLET. USE MULTIPLE INLETS WITH A SHORT FEEDER PIPE FOR CONNECTING 15 & 20 CFS APPLICATIONS.

KNOCKOUTS 30" WIDE X 30" TALL X 4" DEEP FOR 3'-0" INSIDE HEIGHT INLET, OR 30" WIDE X 36" TALL X 4" DEEP FOR 4'-0" INSIDE HEIGHT INLET, CENTERED IN WIDTH & LENGTH OF EACH WALL AT FLOOR LEVEL, TYP. ALL 4 WALLS

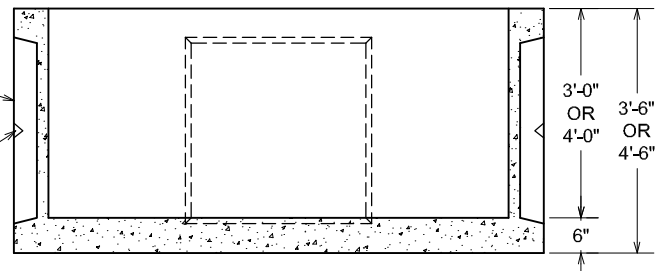
INLET CAN BE PROVIDED WITH 2 FLAT CAST IRON FRAMES & GRATES OR 2 CAST IRON FRAMES, GRATES & CURB HOODS

KNOCKOUTS 30" WIDE X 30" TALL X 4" DEEP FOR 3'-0" INSIDE HEIGHT INLET, OR 30" WIDE X 36" TALL X 4" DEEP FOR 4'-0" INSIDE HEIGHT INLET, CENTERED IN WIDTH & LENGTH OF EACH WALL AT FLOOR LEVEL, TYP. ALL 4 WALLS

PROVIDED WITH LIFT NOTCHES FOR HANDLING, TYP. OF 4



PLAN VIEW



SECTION VIEW

NOTES:

- CONCRETE: 4000 P.S.I. MINIMUM
- REINFORCING: GRADE 60 MINIMUM
- MANUFACTURED WITH 6" THICK FLOOR & WALLS
- DESIGNED FOR AASHTO HS-20-44 LOADINGS

3'-0" HIGH I.D. BOX WEIGHS APPX. 6,500 LBS.
 4'-0" HIGH I.D. BOX WEIGHS APPX. 8,000 LBS.

EXCAVATION TO BE PROPERLY PREPARED WITH SUITABLE MATERIAL TO PLACE STRUCTURE ONTO

ACTUAL DIMENSIONS OF CONCRETE PRODUCTS MAY VARY SLIGHTLY



DRAWING NOT TO SCALE

2-6X6-7X5 OR 4 DOUBLE INLET.DWG
 DATE CREATED: 12/06
 UPDATED: 12/09

12650 Tucson Street • Henderson, Colorado 80640 • 303-659-3747, Fax 303-659-1333
 2671 South Greeley Hwy • Cheyenne, Wyoming 82007 • 307-634-0695, Fax 307-634-0694
 10021 Amarillo Blvd East • Amarillo, Texas 79108 • 806-374-3747, Fax 806-335-3717

www.vaughnconcreteproducts.com