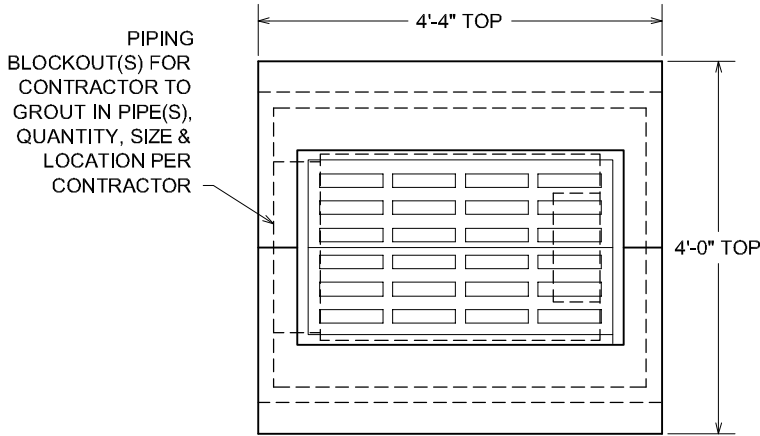


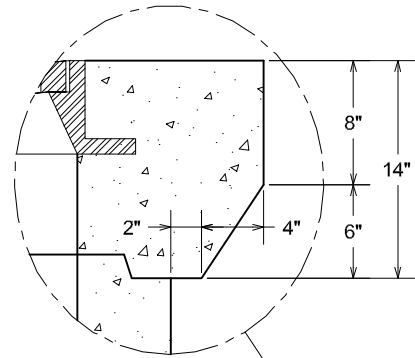
PRECAST CONCRETE

TYPE 13 AREA INLET

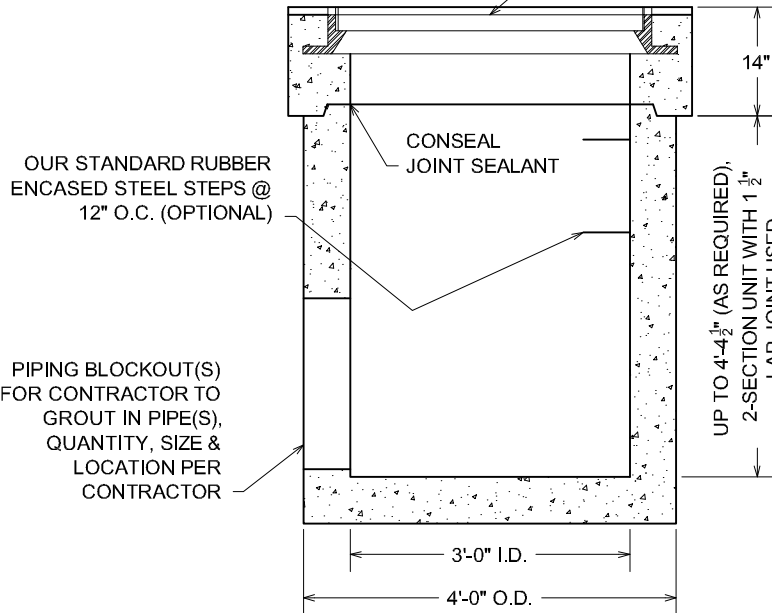
PRECAST INLET BOX WITH STANDARD TYPE 13 INLET TOP
2'-0" WIDE X 3'-0" LONG INSIDE DIMENSIONS



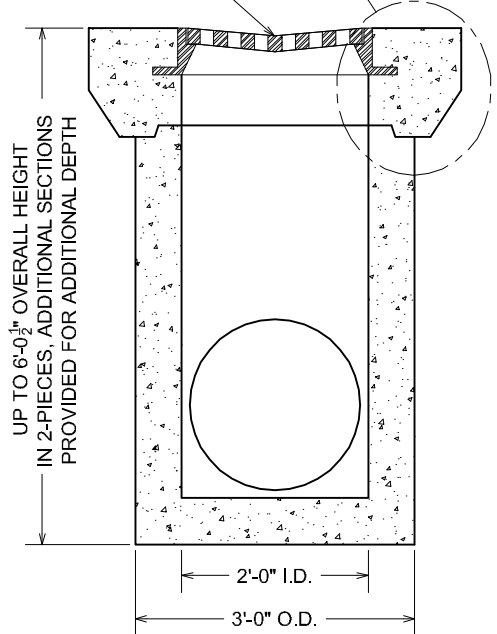
PLAN VIEW



STANDARD TYPE 13 CAST IRON FRAME & GRATE CAST IN



SECTION VIEW



SIDE SECTION VIEW

NOTES:

- CONCRETE: 4000 P.S.I. MINIMUM
- REINFORCING: GRADE 60 MINIMUM
- WALLS & FLOOR TO BE 6" THICK
- DESIGNED FOR AASHTO HS-20-44 LOADINGS

ACTUAL DIMENSIONS OF CONCRETE PRODUCTS MAY VARY SLIGHTLY

WEIGHTS:

- TOP WEIGHS APPX. 2,600 LBS.
- 4'-6" I.D. HEIGHT INLET BOX SECTION WEIGHS APPX. 5,000 LBS.



DRAWING NOT TO SCALE

TYPE 13 AREA INLET.DWG
DATE CREATED: 11/ 04
UPDATED: -----

12650 Tucson Street • Henderson, Colorado 80640 • 303-659-3747, Fax 303-659-1333
2671 South Greeley Hwy • Cheyenne, Wyoming 82007 • 307-634-0695, Fax 307-634-0694
10021 Amarillo Blvd East • Amarillo, Texas 79108 • 806-374-3747, Fax 806-335-3717