

PRECAST CONCRETE TYPE R INLET, 5 FT. LONG

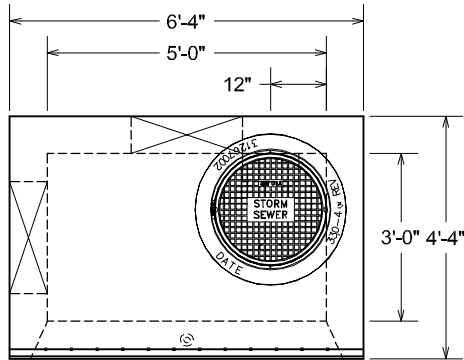
3'-0" WIDE X 5'-0" LONG INSIDE DIMENSIONS

DESIGN IS SIMILAR TO CDOT M-604-12
WITH EXCEPTION OF USING STANDARD STEPS, STANDARD
NON-COATED REINFORCING AND STANDARD PRECAST
DESIGN & PRECASTING METHODS

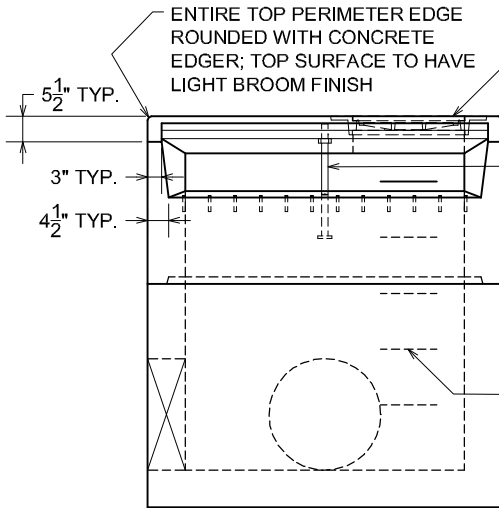
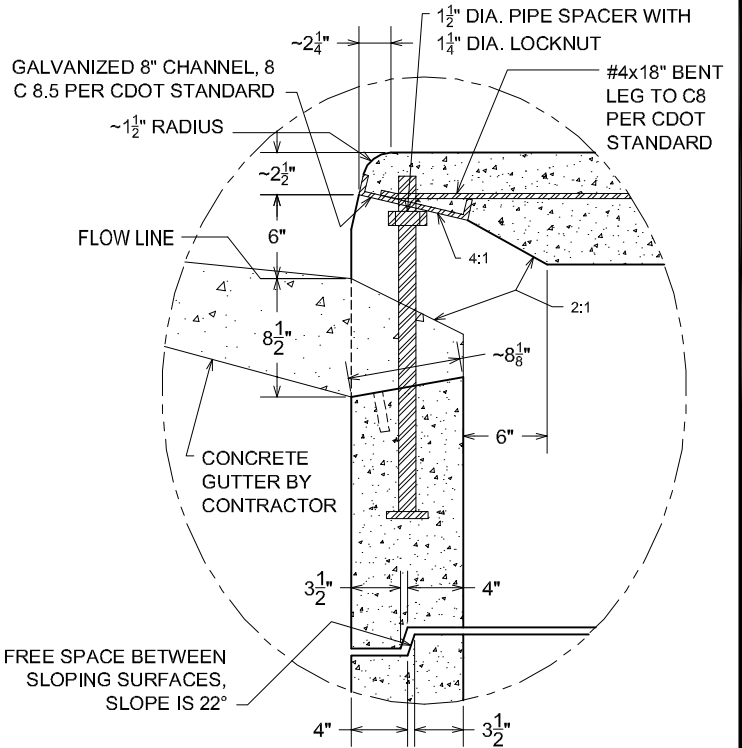
EXCAVATION TO BE PROPERLY PREPARED
WITH SUITABLE MATERIAL TO PLACE
STRUCTURE ONTO

WEIGHT:

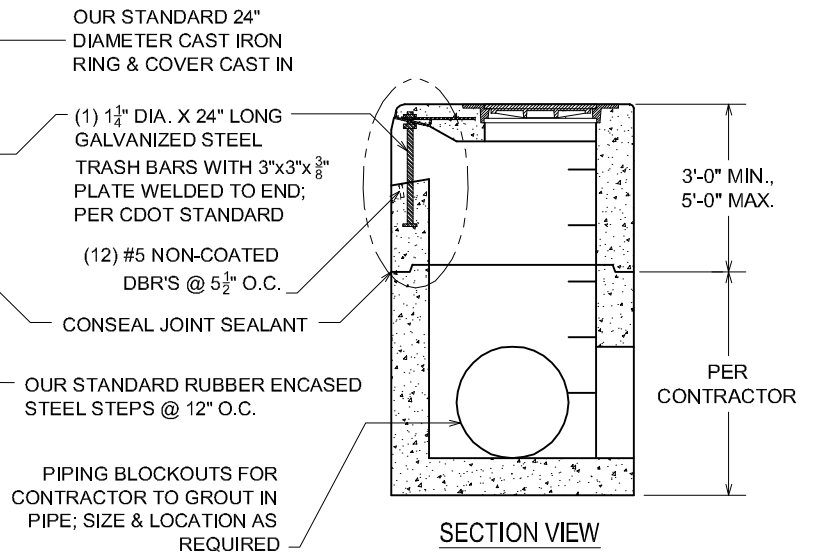
APPX. WEIGHT FOR 5'-0" TALL I.D. INLET: 14,000 LBS.
APPX. 1,900 LBS./FT. FOR ADDITIONAL HEIGHT



PLAN VIEW



ELEVATION VIEW



SECTION VIEW

NOTES:

- CONCRETE: 5000 P.S.I. MINIMUM
- STANDARD NON-COATED REINFORCING: GRADE 60 MINIMUM
- FLOOR, WALLS & ROOF TO BE 8" THICK
- DESIGNED FOR AASHTO HS-20-44 LOADINGS

ACTUAL DIMENSIONS OF CONCRETE PRODUCTS MAY VARY SLIGHTLY

THIS INLET IS AVAILABLE WITH AN INSIDE LENGTH OF 10
FT. OR OTHER SPECIAL LENGTHS PER THE PROJECT'S
SPECIFICATIONS



DRAWING NOT TO SCALE

TYPE R INLET.DWG
DATE CREATED: 12/06
UPDATED: -----

12650 Tucson Street • Henderson, Colorado 80640 • 303-659-3747, Fax 303-659-1333
2671 South Greeley Hwy • Cheyenne, Wyoming 82007 • 307-634-0695, Fax 307-634-0694
10021 Amarillo Blvd East • Amarillo, Texas 79108 • 806-374-3747, Fax 806-335-3717