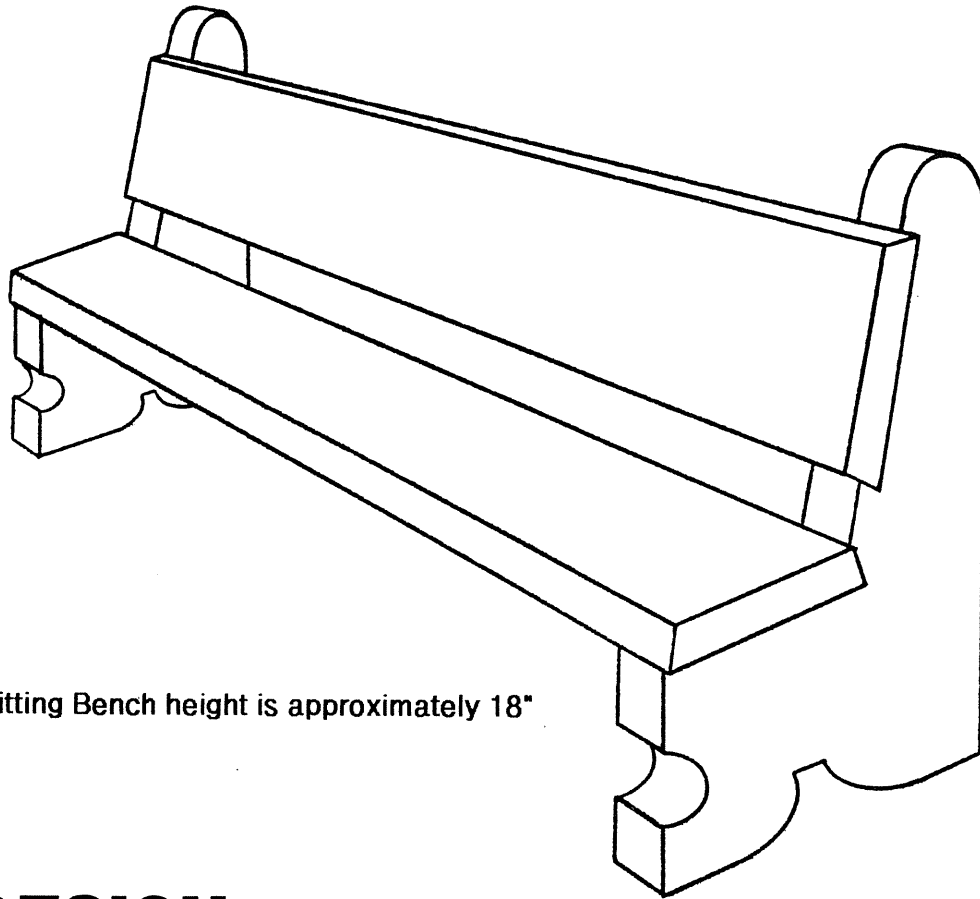


# PARK BENCH



Sitting Bench height is approximately 18"

## DESIGN:

Constructed of 4 pieces that bolt together for simple assembly.

Seating slab and back 13"x72", legs are 38" tall, 25" wide  
Bolt holes may be filled & grouted to conceal bolt heads

## DURABILITY:

Tough, steel reinforced precast concrete for long life  
Smooth finish, no painting required  
Won't rot or splinter

**Must be placed on a firm, flat base**

Weight: 860 lbs.

Actual dimensions of concrete products may vary slightly

**vaughn**  
**concrete products, inc.**

UPDATED 11/97

12650 Tucson Street • Henderson, Colorado 80640 • 303-659-3747, Fax 303-659-1333  
2671 So. Greeley Hwy • Cheyenne, Wyoming 82007 • 307-634-0695, Fax 307-634-0694  
10021 Amarillo Blvd. East • Amarillo, Texas 79107 • 806-374-3747, Fax 806-335-3717