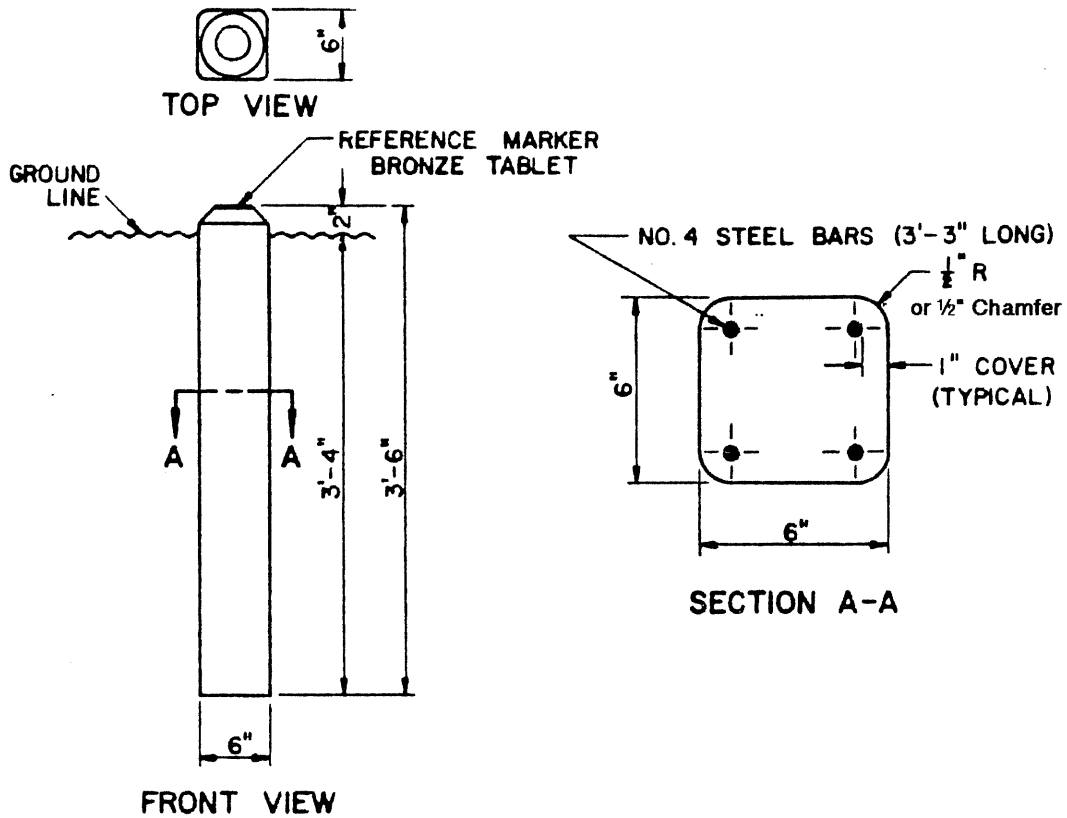


Precast Concrete

# REFERENCE MARKER



actual dimensions of concrete products may vary slightly

**vaughn**  
**concrete products, inc.**

UPDATED 11/97

12650 Tucson Street • Henderson, Colorado 80640 • 303-659-3747, Fax 303-659-1333  
2671 So. Greeley Hwy • Cheyenne, Wyoming 82007 • 307-634-0695, Fax 307-634-0694  
10021 Amarillo Blvd. East • Amarillo, Texas 79107 • 806-374-3747, Fax 806-335-3717