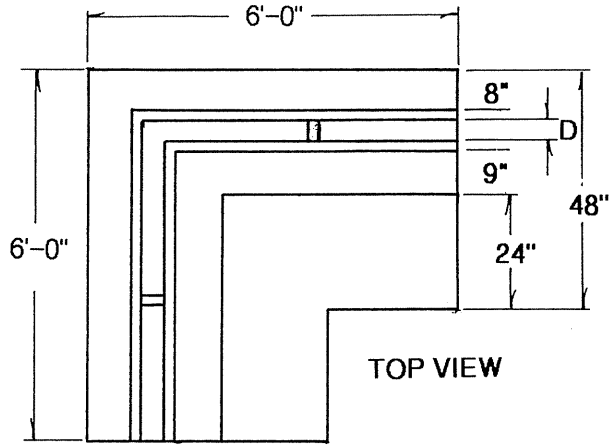


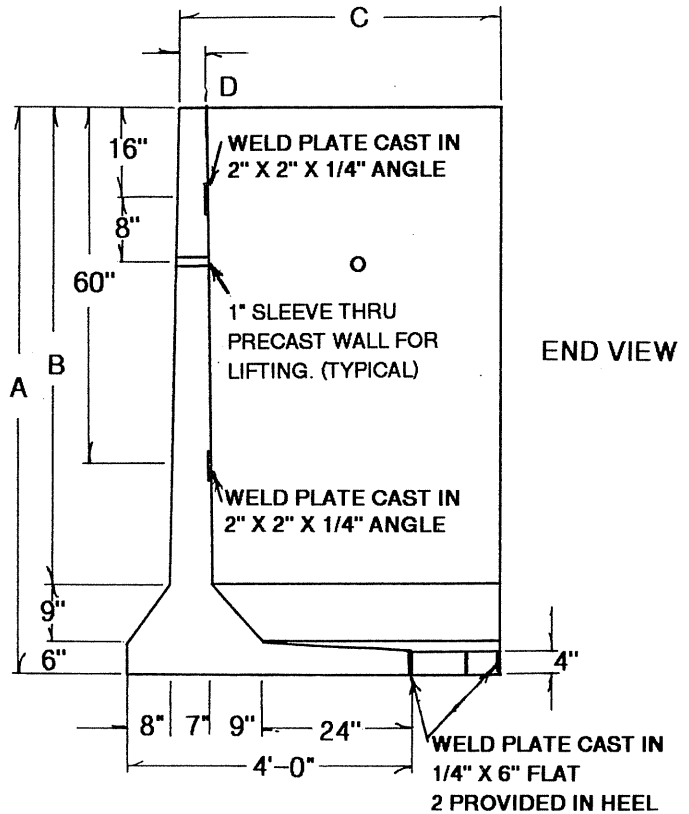
Precast Concrete  
**RETAINING WALL**  
 INSIDE CORNER SECTION

THE DIMENSIONS SHOWN HERE  
 ARE TYPICAL OF EACH SIDE



**STANDARD WALL SIZES**

A	B	C	D	WEIGHT
4'	33"	62-1/2"	6"	7000 lbs
5'	45"	62-1/4"	5-1/2"	7400 lbs
6'	57"	62	5"	7700 lbs
8'	81"	61-1/2"	4"	8200 lbs



Actual dimensions of concrete products may vary slightly

**vaughn**  
**concrete products, inc.**

UPDATED 11/97

12650 Tucson Street • Henderson, Colorado 80640 • 303-659-3747, Fax 303-659-1333  
 2671 So. Greeley Hwy • Cheyenne, Wyoming 82007 • 307-634-0695, Fax 307-634-0694  
 10021 Amarillo Blvd. East • Amarillo, Texas 79107 • 806-374-3747, Fax 806-335-3717